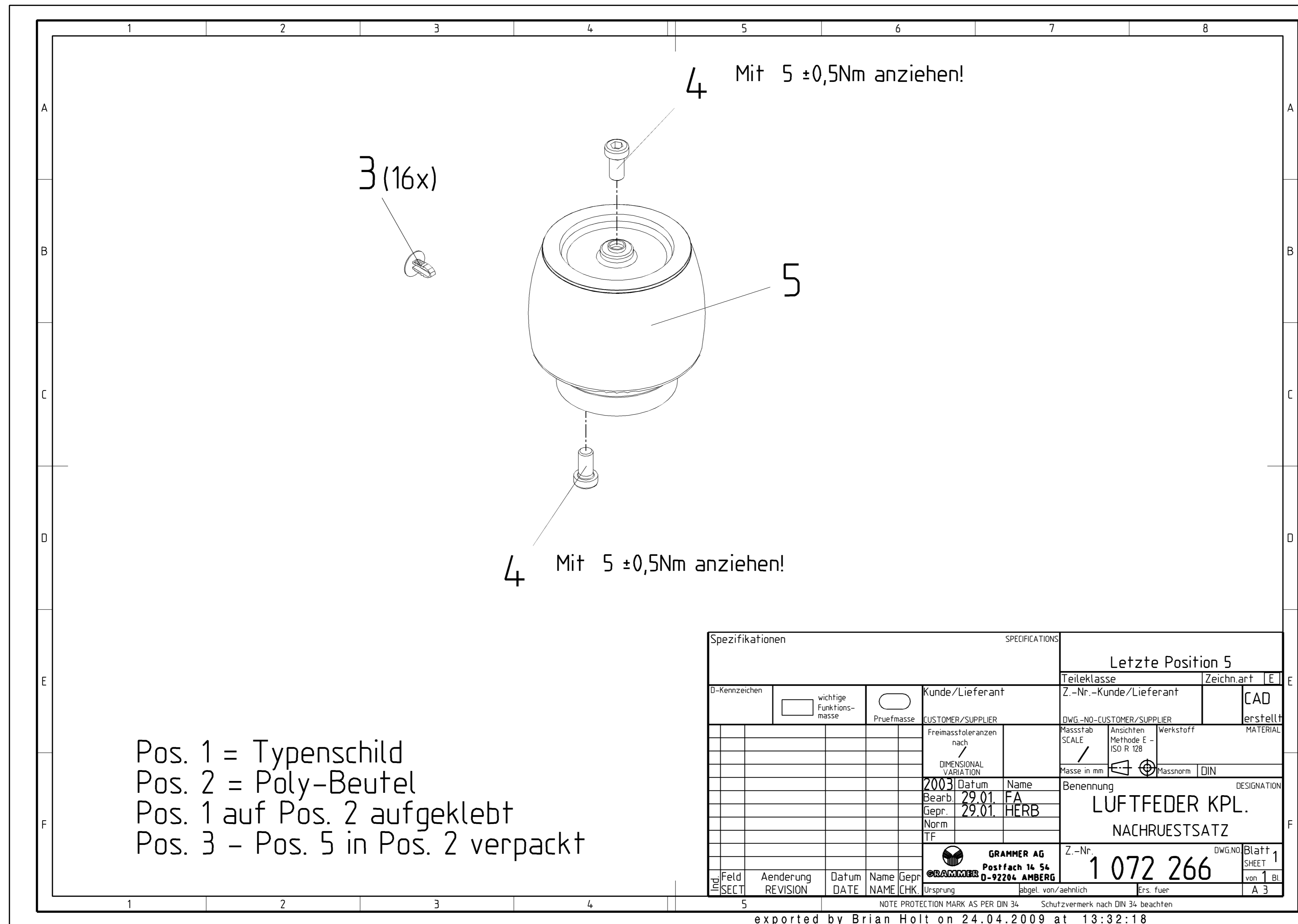


ITEM	PART NO.	PART NAME	QTY
1	1072266	SUSPENSION AIR BLADDER	1
2		BOX	1



CHG. NO.	LET	REVISION	DATE	DRW	GX	APR
7509	AB	UPDATED DESCRIPTION IN BOM TABLE	11.JUL19	BT	LF	**
7332	AA	RELEASED FOR SERVICE	01AP15	CS	**	**

UNLESS OTHERWISE SPECIFIED DRAWING TOLERANCES ARE:
 LINEAR: ONE PLACE ± X.X, TWO PLACE ± X.XX
 ANGULAR: ONE PLACE ± X.X°, TWO PLACE ± X.XX°

COMPUTER GENERATED GRAPHICS
 FILE NO.: SEE PART BLOCK

DRAWN BY: DATE: 23APR12 CHECKED: ** APPROVED: **

MATERIAL: GRAMMAG truck interior systems SCALE: 1:2

NAME: SUSPENSION AIR BLADDER SERVICE KIT NO: PAC-SP11877-DWG

PAC-SP11877-DWG
 UNCONTROLLED