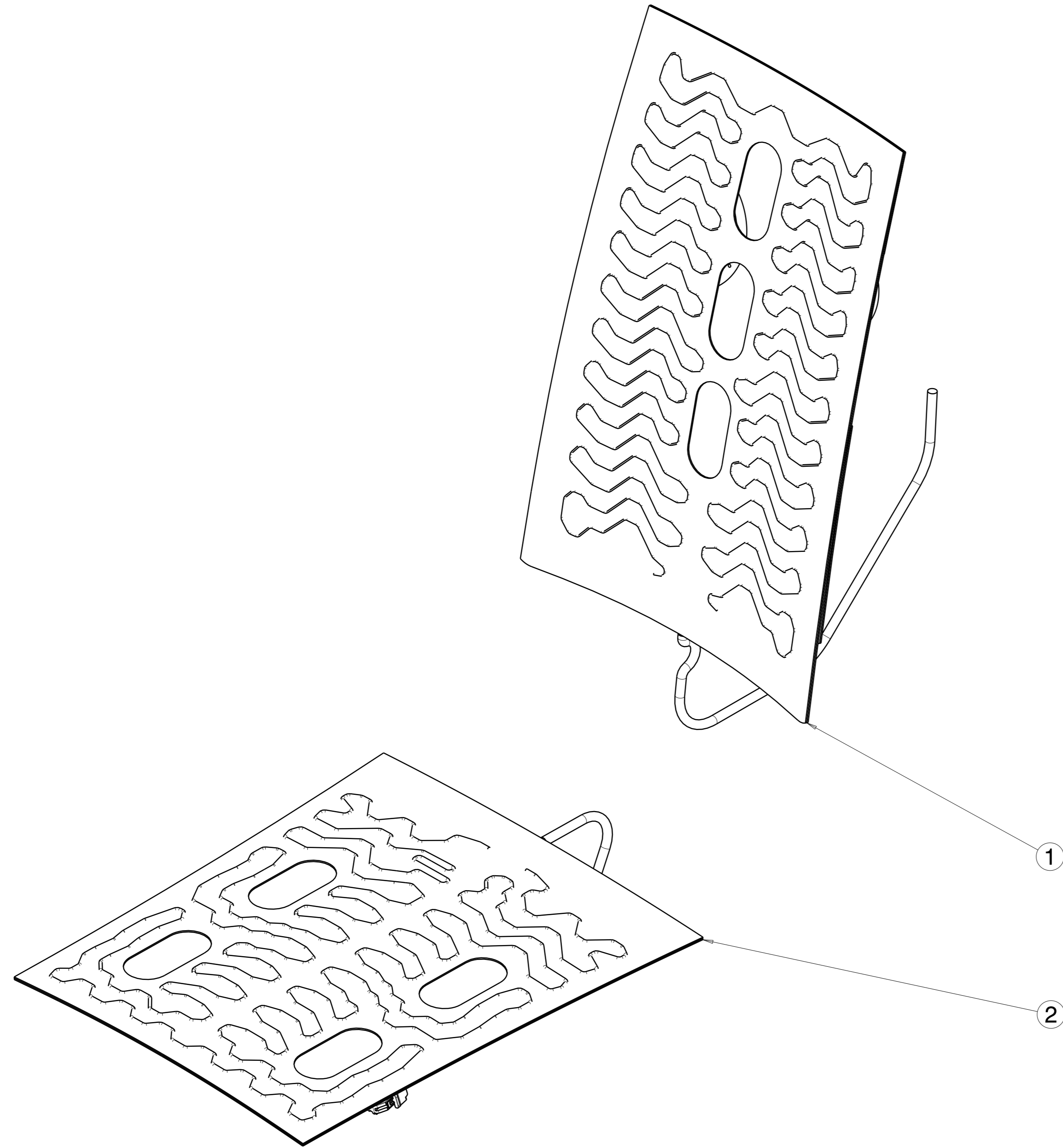


ITEM	PART NO.	PART NAME	QTY
1	PAC-10749	VENT/HEAT ASM - PB/KW BACK GT703	1
2	PAC-10750	VENT/HEAT ASM - PB/KW CUSH. GT703	1
3		BOX	1



REV	CHG NO.	LET	DESCRIPTION	DATE	DRW	CHK	APP
	7509	AC	UPDATED DESCRIPTIONS IN BOM TABLE AND TITLE BLOCK	11JUL19	BT	LF	**
	7231	AB	ADDED VISUAL REPRESENTATION	23OCT12	INT	**	**
	7216	AA	RELEASED FOR SERVICE	27JUL12	INT	**	**
FRAME	CHG NO.	LET	REVISION	DATE	DRW	CHK	APP

UNLESS OTHERWISE SPECIFIED DRAWING TOLERANCES ARE		DIMENSIONING & TOLERANCING PER ASME Y14.5 M-1994	
LINEAR		3RD ANGLE PROJECTION	
ONE PLACE ± X.X	ANGULAR ONE PLACE ± X.X °	LAST VIEW	
TWO PLACE ± X.XX	TWO PLACE ± X.XX °	LAST SECT	
- DO NOT SCALE THIS DRAWING -		COMPUTER GENERATED GRAPHICS	
DRAWN BY		FILE NO. SEE PART BLOCK	
DATE	CHECKED	THIS DRAWING IS COPYRIGHTED AND REMAINS THE EXCLUSIVE PROPERTY OF GRAMMAG TRUCK INTERIOR SYSTEMS, INC. UNAUTHORIZED COPYING, REPRODUCTION OR OTHER USE IS PROHIBITED AND WILL BE PROSECUTED.	
16APR12	**	UNLESS OTHERWISE SPECIFIED DIMENSIONS ARE IN MM	
MATERIAL			
NAME		SCALE	
VENT/HEAT ASM - PB/KW BACK & CUSHION GT703 SERVICE KIT		4X	
NO		PAC-SP11339-DWG	

PAC-SP11339-DWG
UNCONTROLLED