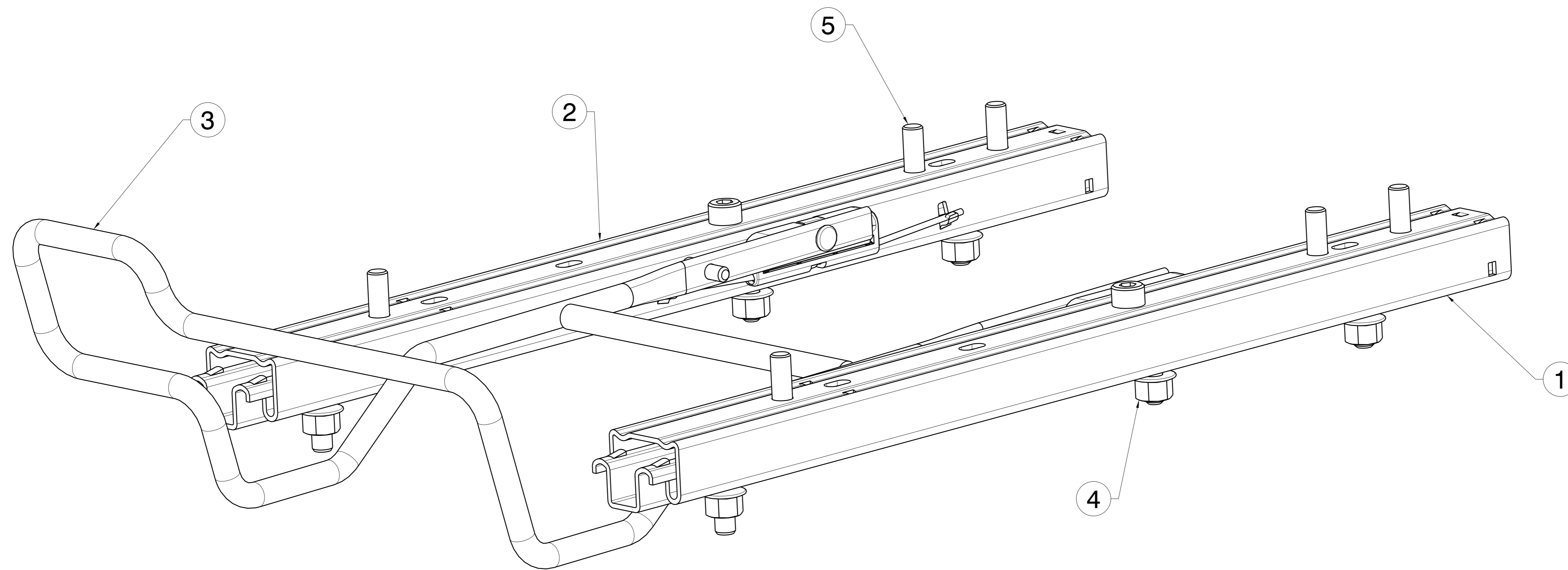


ITEM	PART NO.	PART NAME	QTY
1	PAC-10356	TRACK ASM 210 MM TRAVEL LH	1
2	PAC-10357	TRACK ASM 210 MM TRAVEL RH	1
3	PAC-10358	TOWEL BAR ASM	1
4	PAC-11886	NUT - M8	6
5	PAC-10845	BOLT - M8	6
6		BAG - FASTENERS	1
7		BOX	1



CHG NO.	LET	DESCRIPTION	DATE	DRW	CHK	APP
7491	AC	ADDED 210 MM TRAVEL TO DESCRIPTION	13FEB19	BT	LF	**
7331	AB	ITEM 4 PART NUMBER PAC-11886 WAS 91054	06AP15	CAS	**	**
7216	AA	RELEASED FOR SERVICE	19JUL12	INT	**	**

UNLESS OTHERWISE SPECIFIED DRAWING TOLERANCES ARE				DIMENSIONING & TOLERANCING PER ASME Y14.5 M-1994			
LINEAR		ANGULAR		LAST VIEW		3RD ANGLE PROJECTION	
ONE PLACE	± X.X	ONE PLACE	± X.X °	LAST SECT		COMPUTER GENERATED GRAPHICS	
TWO PLACE	± X.XX	TWO PLACE	± X.XX °	FILE NO. SEE PART BLOCK			
- DO NOT SCALE THIS DRAWING -				MATERIAL			
DRAWN BY	DATE	CHECKED	APPROVED	THIS DRAWING IS COPYRIGHTED AND REMAINS THE EXCLUSIVE PROPERTY OF GRAMMAG. UNAUTHORIZED COPYING, REPRODUCTION OR OTHER USE IS PROHIBITED AND WILL BE PROSECUTED.			
INTENT	03APR12	**	**	UNLESS OTHERWISE SPECIFIED DIMENSIONS ARE IN MM			
NAME TRACK ASM 210 MM TRAVEL- SERVICE KIT				SCALE FULL			
NO				PAC-SP11265-DWG			

PAC-SP11265-DWG
UNCONTROLLED