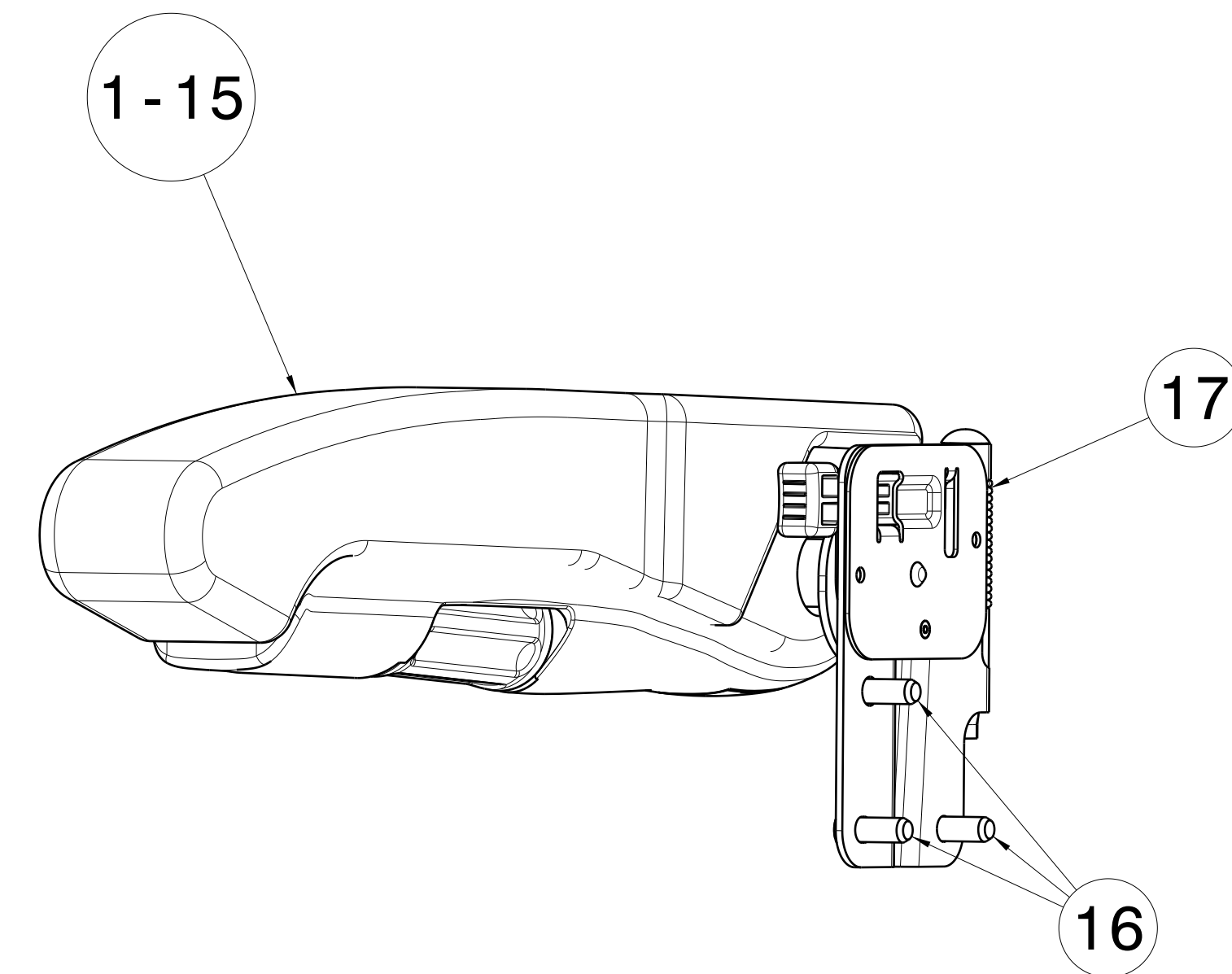


ITEM	PART NO.	PART NAME	QTY	QTY	QTY	QTY	QTY	QTY	QTY	QTY	QTY	QTY	QTY	QTY	QTY	QTY	QTY	
1	PAC-1C45-12236	ARMREST ASM TRIMMED RH, CLOTH, DARK SLATE	1															
2	PAC-1C52-12236	ARMREST ASM TRIMMED RH, CLOTH, MEDIUM GRAY		1														
3	PAC-1C53-12236	ARMREST ASM TRIMMED RH, CLOTH, MEDIUM TAN			1													
4	PAC-1C71-12236	ARMREST ASM TRIMMED RH, CLOTH, MEDIUM BROWN				1												
5	PAC-1S52-12237	ARMREST ASM TRIMMED RH, SYNTHETIC LEATHER, DARK SLATE					1											
6	PAC-1S53-12237	ARMREST ASM TRIMMED RH, SYNTHETIC LEATHER, MEDIUM TAN						1										
7	PAC-1S45-12237	ARMREST ASM TRIMMED RH, SYNTHETIC LEATHER, DARK SLATE							1									
8	PAC-1V58-12238	ARMREST ASM TRIMMED RH, VINYL, DARK SLATE								1								
9	PAC-1V56-12238	ARMREST ASM TRIMMED RH, VINYL, MEDIUM GRAY									1							
10	PAC-1V57-12238	ARMREST ASM TRIMMED RH, VINYL, MEDIUM TAN										1						
11	PAC-1V66-12238	ARMREST ASM TRIMMED RH, VINYL, BLACK											1					
12	PAC-1V74-12238	ARMREST ASM TRIMMED RH, VINYL, BLACK W/BUE STITCHING												1				
13	PAC-1V70-12238	ARMREST ASM TRIMMED RH, VINYL, BLACK W/GREY STITCHING													1			
14	PAC-1V71-12238	ARMREST ASM TRIMMED RH, VINYL, BROWN														1		
15	PAC-12232	ARMREST ASM RH																1
16	14081021	BOLT - M8 X 20 (PAC-11238)	3	3	3	3	3	3	3	3	3	3	3	3	3	3	3	3
17	PAC-10203	BRACKET - STOWABLE ARMREST RH	1	1	1	1	1	1	1	1	1	1	1	1	1	1	1	1
18	PAC-12156	LOCKING BOLT, ARMREST	1	1	1	1	1	1	1	1	1	1	1	1	1	1	1	1
19		BAG - FASTENERS	1	1	1	1	1	1	1	1	1	1	1	1	1	1	1	1
20		BOX	1	1	1	1	1	1	1	1	1	1	1	1	1	1	1	1



KIT NUMBER	KIT DESCRIPTION
PAC-SP1C45-11813	STOWABLE ARMREST ASM RH SERVICE KIT - KENWORTH CLOTH, DARK SLATE
PAC-SP1C52-11813	STOWABLE ARMREST ASM RH SERVICE KIT - KENWORTH CLOTH, MEDIUM GRAY
PAC-SP1C53-11813	STOWABLE ARMREST ASM RH SERVICE KIT - KENWORTH CLOTH, MEDIUM TAN
PAC-SP1C71-11813	STOWABLE ARMREST ASM RH SERVICE KIT - KENWORTH CLOTH, BROWN
PAC-SP1S52-11813	STOWABLE ARMREST ASM RH SERVICE KIT - KENWORTH SYNTHETIC LEATHER, MEDIUM GRAY
PAC-SP1S53-11813	STOWABLE ARMREST ASM RH SERVICE KIT - KENWORTH SYNTHETIC LEATHER, MEDIUM TAN
PAC-SP1S45-11813	STOWABLE ARMREST ASM RH SERVICE KIT - KENWORTH SYNTHETIC LEATHER, DARK SLATE
PAC-SP1V58-11813	STOWABLE ARMREST ASM RH SERVICE KIT - KENWORTH VINYL, DARK SLATE
PAC-SP1V56-11813	STOWABLE ARMREST ASM RH SERVICE KIT - KENWORTH VINYL, MEDIUM GRAY
PAC-SP1V57-11813	STOWABLE ARMREST ASM RH SERVICE KIT - KENWORTH VINYL, MEDIUM TAN
PAC-SP1V66-11813	STOWABLE ARMREST ASM RH SERVICE KIT - KENWORTH VINYL, BLACK
PAC-SP1V74-11813	STOWABLE ARMREST ASM RH SERVICE KIT - KENWORTH VINYL, BLACK W/BUE STITCHING
PAC-SP1V70-11813	STOWABLE ARMREST ASM RH SERVICE KIT - KENWORTH VINYL, GREY W/GREY STITCHING
PAC-SP1V71-11813	STOWABLE ARMREST ASM RH SERVICE KIT - KENWORTH VINYL, BROWN
PAC-SP11813	STOWABLE ARMREST ASM RH SERVICE KIT - UNTRIMMED

7496	CA	UPDATED ARMREST ASM PMS, REMOVE PAC-11749 01 ADD PAC-12156-B 01	15APR19	AY	LF	**
7483	BC	RELEASED SERVICE PART NUMBERS FOR TRIM CODES 1C71, 1V70 AND 1V71	18DEC18	BT	LF	**
7474	BB	RELEASED SERVICE PART NUMBER FOR TRIM CODE 74	26JUN18	BT	**	**
7345	BA	REVISED PN FOR ARMREST TRIMMED ASSEMBLIES	10SEP15	BT	**	**
7261	AA	RELEASED FOR SERVICE LONGER ARMREST	28JAN14	INT	**	**

UNLESS OTHERWISE SPECIFIED DRAWING TOLERANCES ARE:	DIMENSIONING & TOLERANCING PER ASME Y14.5 M-1994			
L INEAR	ANGULAR			
ONE PLACE ± X.X	ONE PLACE ± X.X °			
TWO PLACE ± X.XX	TWO PLACE ± X.XX "			
COMPUTER GENERATED GRAPHICS				
3RD ANGLE PROJECTION				
FILE NO. SEE PART BLOCK				
DRAWN BY	DATE	CHECKED	APPROVED	UNLESS OTHERWISE SPECIFIED DIMENSIONS ARE IN MM
INTENT	OSMART2	**	**	
MATERIAL				SCALE
STOWABLE ARMREST - RH KENWORTH SERVICE KIT				FULL
NO				PAC-SP11813-DWG

PAC-SP11813-DWG  
UNCONTROLLED