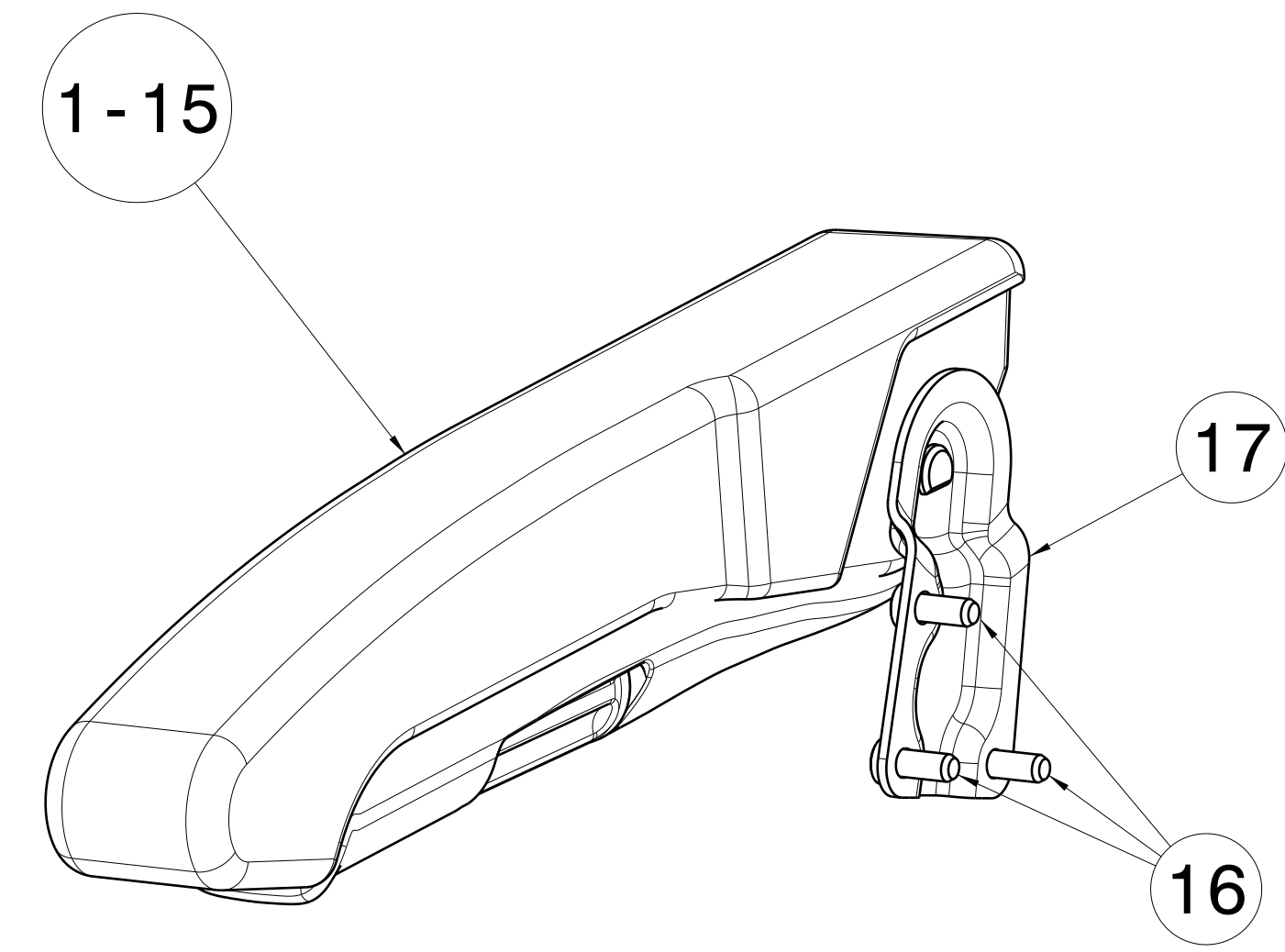


ITEM	PART NO.	PART NAME	QTY	QTY	QTY	QTY	QTY	QTY	QTY	QTY	QTY	QTY	QTY	QTY	QTY	QTY	QTY
1	PAC-1C45-12236	ARMREST ASM TRIMMED RH - KENWORTH CLOTH, DARK SLATE	1														
2	PAC-1C52-12236	ARMREST ASM TRIMMED RH - KENWORTH CLOTH, MEDIUM GRAY		1													
3	PAC-1C53-12236	ARMREST ASM TRIMMED RH - KENWORTH CLOTH, MEDIUM TAN			1												
4	PAC-1C71-12236	ARMREST ASM TRIMMED RH - KENWORTH CLOTH, BROWN				1											
5	PAC-1S52-12237	ARMREST ASM TRIMMED RH - KENWORTH SYNTHETIC LEATHER, MEDIUM GRAY					1										
6	PAC-1S53-12237	ARMREST ASM TRIMMED RH - KENWORTH SYNTHETIC LEATHER, MEDIUM TAN						1									
7	PAC-1S45-12237	ARMREST ASM TRIMMED RH - KENWORTH SYNTHETIC LEATHER, DARK SLATE							1								
8	PAC-1V58-12238	ARMREST ASM TRIMMED RH - KENWORTH VINYL, DARK SLATE								1							
9	PAC-1V56-12238	ARMREST ASM TRIMMED RH - KENWORTH VINYL, MEDIUM GRAY									1						
10	PAC-1V57-12238	ARMREST ASM TRIMMED RH - KENWORTH VINYL, MEDIUM TAN										1					
11	PAC-1V66-12238	ARMREST ASM TRIMMED RH - KENWORTH VINYL, BLACK											1				
12	PAC-1V74-12238	ARMREST ASM TRIMMED RH - KENWORTH VINYL, BLACK W/BLUE STITCHING												1			
13	PAC-1V70-12238	ARMREST ASM TRIMMED RH - KENWORTH VINYL, BLACK W/GREY STITCHING													1		
14	PAC-1V71-12238	ARMREST ASM TRIMMED RH - KENWORTH VINYL, BROWN														1	
15	PAC-12232	ARMREST ASM RH															1
16	14081021	BOLT - M8 X 20 (PAC-11238)	3	3	3	3	3	3	3	3	3	3	3	3	3	3	3
17	PAC-10500	BRACKET - ARMREST RH	1	1	1	1	1	1	1	1	1	1	1	1	1	1	1
18	PAC-12156	LOCKING BOLT,ARMREST	1	1	1	1	1	1	1	1	1	1	1	1	1	1	1
19		BAG - FASTENERS	1	1	1	1	1	1	1	1	1	1	1	1	1	1	1
20		BOX	1	1	1	1	1	1	1	1	1	1	1	1	1	1	1



KIT NUMBER	KIT DESCRIPTION
PAC-SP1045-11812	ARMREST ASM RH SERVICE KIT - KENWORTH CLOTH, DARK SLATE
PAC-SP1052-11812	ARMREST ASM RH SERVICE KIT - KENWORTH CLOTH, MEDIUM GRAY
PAC-SP1053-11812	ARMREST ASM RH SERVICE KIT - KENWORTH CLOTH, MEDIUM TAN
PAC-SP1071-11812	ARMREST ASM RH SERVICE KIT - KENWORTH CLOTH, BROWN
PAC-SP1S52-11812	ARMREST ASM RH SERVICE KIT - KENWORTH SYNTHETIC LEATHER, MEDIUM GRAY
PAC-SP1S53-11812	ARMREST ASM RH SERVICE KIT - KENWORTH SYNTHETIC LEATHER, MEDIUM TAN
PAC-SP1S45-11812	ARMREST ASM RH SERVICE KIT - KENWORTH SYNTHETIC LEATHER, DARK SLATE
PAC-SP1V58-11812	ARMREST ASM RH SERVICE KIT - KENWORTH VINYL, DARK SLATE
PAC-SP1V56-11812	ARMREST ASM RH SERVICE KIT - KENWORTH VINYL, MEDIUM GRAY
PAC-SP1V57-11812	ARMREST ASM RH SERVICE KIT - KENWORTH VINYL, MEDIUM TAN
PAC-SP1V66-11812	ARMREST ASM RH SERVICE KIT - KENWORTH VINYL, BLACK
PAC-SP1V74-11812	ARMREST ASM RH SERVICE KIT - KENWORTH VINYL, BLACK W/BLUE STITCHING
PAC-SP1V70-11812	ARMREST ASM RH SERVICE KIT - KENWORTH VINYL, BLACK W/GREY STITCHING
PAC-SP1V71-11812	ARMREST ASM RH SERVICE KIT - KENWORTH VINYL, BROWN
PAC-SP11812	ARMREST ASM RH SERVICE KIT - UNTRIMMED

7496	CA	UPDATE ARMREST ASM PMS, REMOVE PAC-11749 Q1, ADD PAC-12156-B Q1	15APR19	AY	LF	**
7483	BC	RELEASED SERVICE PART NUMBER FOR TRIM CODES 1C71, 1V70 AND 1V71	18DEC18	BT	LF	**
7474	BB	RELEASED SERVICE PART NUMBER FOR TRIM CODE 74	26A818	BT	**	**
7345	BA	REVISED PN FOR ARMREST TRIMMED ASSEMBLIES	14SEP15	BT	**	**
7261	AA	RELEASED FOR SERVICE LONGER ARMREST	28JAN14	JNT	**	**

FRAME	QTC NO.	LET	REVISION	DATE	DRW	CK	APR

UNLESS OTHERWISE SPECIFIED DRAWING TOLERANCES ARE:
 LINEAR: ONE PLACE ± X.X, TWO PLACE ± X.XX
 ANGULAR: ONE PLACE ± X.X°, TWO PLACE ± X.XX°
 DIMENSIONING & TOLERANCING PER ASME Y14.5 M-1994
 3RD ANGLE PROJECTION
 COMPUTER GENERATED GRAPHICS
 FILE NO. SEE PART BLOCK
 - DO NOT SCALE THIS DRAWING -
 DRAWN BY: INTENT, DATE: 05MAR12, CHECKED: **, APPROVED: **
 MATERIAL: GRAMMAG
 NAME: ARMREST - RH KENWORTH SERVICE KIT, NO: PAC-SP11812-DWG, SCALE: FULL

PAC-SP11812-DWG
 UNCONTROLLED