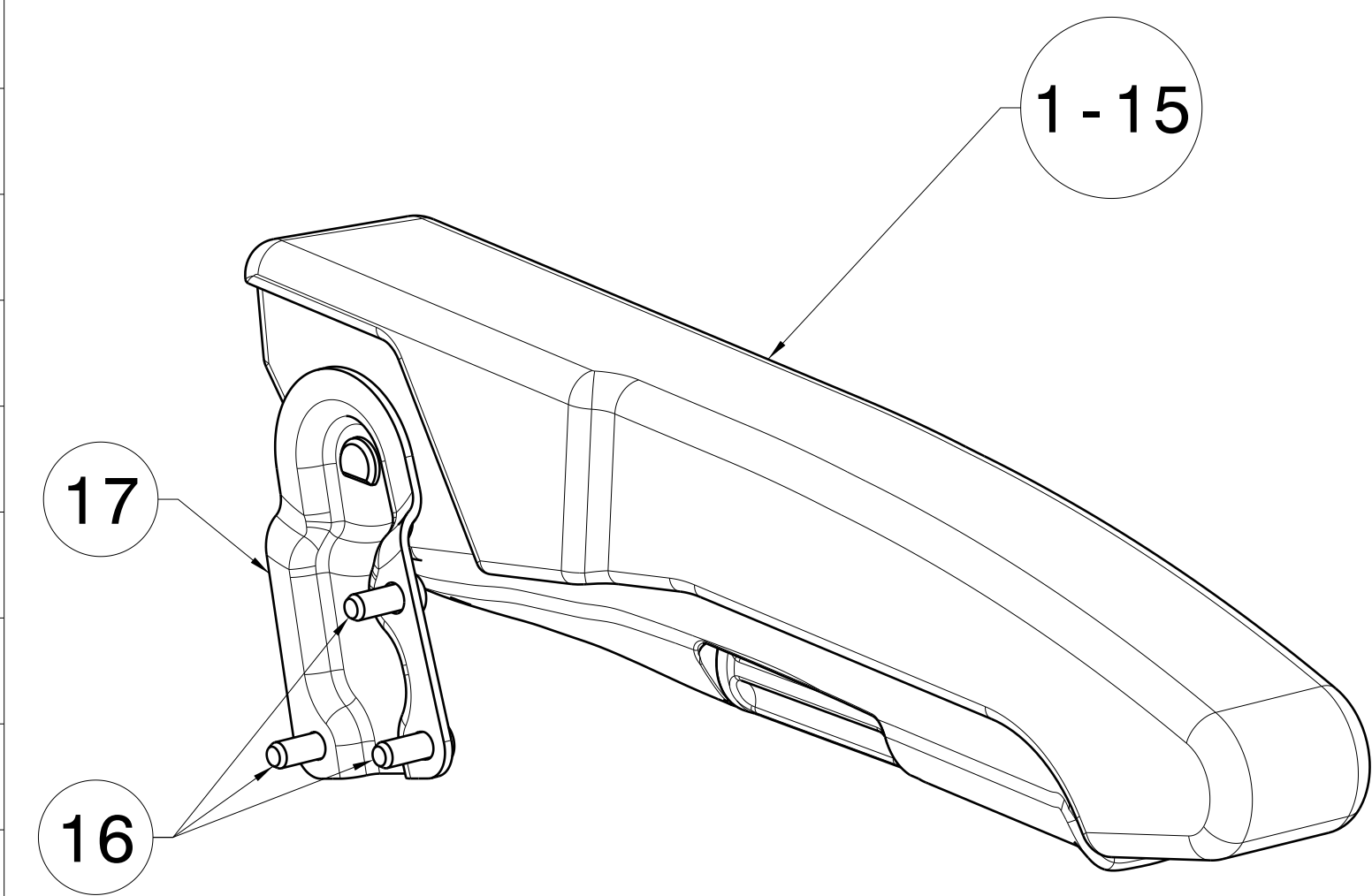


ITEM	PART NO.	PART NAME	QTY	QTY	QTY	QTY	QTY	QTY	QTY	QTY	QTY	QTY	QTY	QTY	QTY	QTY	QTY
1	PAC-1C45-12233	ARMREST ASM TRIMMED LH - KENWORTH CLOTH, DARK SLATE	1														
2	PAC-1C52-12233	ARMREST ASM TRIMMED LH - KENWORTH CLOTH, MEDIUM GRAY		1													
3	PAC-1C53-12233	ARMREST ASM TRIMMED LH - KENWORTH CLOTH, MEDIUM TAN			1												
4	PAC-1C71-12233	ARMREST ASM TRIMMED LH - KENWORTH CLOTH, BROWN				1											
5	PAC-1S52-12234	ARMREST ASM TRIMMED LH - KENWORTH SYNTHETIC LEATHER, MEDIUM GRAY					1										
6	PAC-1S53-12234	ARMREST ASM TRIMMED LH - KENWORTH SYNTHETIC LEATHER, MEDIUM TAN						1									
7	PAC-1S45-12234	ARMREST ASM TRIMMED LH - KENWORTH SYNTHETIC LEATHER, DARK SLATE							1								
8	PAC-1V58-12235	ARMREST ASM TRIMMED LH - KENWORTH VINYL, DARK SLATE								1							
9	PAC-1V56-12235	ARMREST ASM TRIMMED LH - KENWORTH VINYL, MEDIUM GRAY									1						
10	PAC-1V57-12235	ARMREST ASM TRIMMED LH - KENWORTH VINYL, MEDIUM TAN										1					
11	PAC-1V66-12235	ARMREST ASM TRIMMED LH - KENWORTH VINYL, BLACK											1				
12	PAC-1V74-12235	ARMREST ASM TRIMMED LH - KENWORTH VINYL, BLACK W/BLUE STITCHING												1			
13	PAC-1V70-12235	ARMREST ASM TRIMMED LH - KENWORTH VINYL, BLACK W/GREY STITCHING													1		
14	PAC-1V71-12235	ARMREST ASM TRIMMED LH - KENWORTH VINYL, BROWN														1	
15	PAC-12231	ARMREST ASM LH															1
16	14081021	BOLT - M8 X 20 (PAC-11238)	3	3	3	3	3	3	3	3	3	3	3	3	3	3	3
17	PAC-10499	BRACKET - ARMREST LH	1	1	1	1	1	1	1	1	1	1	1	1	1	1	1
18	PAC-12156	LOCKING BOLT, ARMREST	1	1	1	1	1	1	1	1	1	1	1	1	1	1	1
19		BAG - FASTENERS	1	1	1	1	1	1	1	1	1	1	1	1	1	1	1
20		BOX	1	1	1	1	1	1	1	1	1	1	1	1	1	1	1



KIT NUMBER	KIT DESCRIPTION
PAC-SP1C45-11811	ARMREST ASM LH SERVICE KIT - KENWORTH CLOTH, DARK SLATE
PAC-SP1C52-11811	ARMREST ASM LH SERVICE KIT - KENWORTH CLOTH, MEDIUM GRAY
PAC-SP1C53-11811	ARMREST ASM LH SERVICE KIT - KENWORTH CLOTH, MEDIUM TAN
PAC-SP1C71-11811	ARMREST ASM LH SERVICE KIT - KENWORTH CLOTH, BROWN
PAC-SP1S52-11811	ARMREST ASM LH SERVICE KIT - KENWORTH SYNTHETIC LEATHER, MEDIUM GRAY
PAC-SP1S53-11811	ARMREST ASM LH SERVICE KIT - KENWORTH SYNTHETIC LEATHER, MEDIUM TAN
PAC-SP1S45-11811	ARMREST ASM LH SERVICE KIT - KENWORTH SYNTHETIC LEATHER, DARK SLATE
PAC-SP1V58-11811	ARMREST ASM LH SERVICE KIT - KENWORTH VINYL, DARK SLATE
PAC-SP1V56-11811	ARMREST ASM LH SERVICE KIT - KENWORTH VINYL, MEDIUM GRAY
PAC-SP1V57-11811	ARMREST ASM LH SERVICE KIT - KENWORTH VINYL, MEDIUM TAN
PAC-SP1V66-11811	ARMREST ASM LH SERVICE KIT - KENWORTH VINYL, BLACK
PAC-SP1V74-11811	ARMREST ASM LH SERVICE KIT - KENWORTH VINYL, BLACK W/BLUE STITCHING
PAC-SP1V70-11811	ARMREST ASM LH SERVICE KIT - KENWORTH VINYL, BLACK W/GREY STITCHING
PAC-SP1V71-11811	ARMREST ASM LH SERVICE KIT - KENWORTH VINYL, BROWN
PAC-SP11811	ARMREST ASM LH SERVICE KIT - UNTRIMMED

7496	CA	UPDATE ARMREST ASM PMS, REMOVE PAC-11749 Q1, ADD PAC-12156-B Q1	15APR19	AV	LF	**
7483	BC	RELEASED SERVICE PART NUMBER FOR TRIM CODES 1C71, 1V70 AND 1V71	18DEC18	BT	LF	**
7474	BB	RELEASED SERVICE PART NUMBER FOR TRIM CODE 74	26JUN18	BT	**	**
7345	BA	REVISED PN FOR ARMREST TRIMMED ASSEMBLIES	14SEP15	BT	**	**
7261	AA	RELEASED FOR SERVICE LONGER ARMREST	28JUN14	INT	**	**
FRAME	CHG NO.	LET	REVISION	DATE	DRW	CHK

UNLESS OTHERWISE SPECIFIED
DRAWING TOLERANCES ARE:
LINEAR: ONE PLACE ± X.X, TWO PLACE ± X.XX
ANGULAR: ONE PLACE ± X.X°, TWO PLACE ± X.XX°

3RD ANGLE PROJECTION
COMPUTER GENERATED GRAPHICS
FILE NO. SEE PART BLOCK

DO NOT SCALE THIS DRAWING

DRAWN BY: OSWART2, DATE: **

CHECKED: **

APPROVED: **

MATERIAL: GRAMMAG FULL

NAME: ARMREST - LH KENWORTH SERVICE KIT, NO: PAC-SP11811-DWG

PAC-SP11811-DWG
UNCONTROLLED