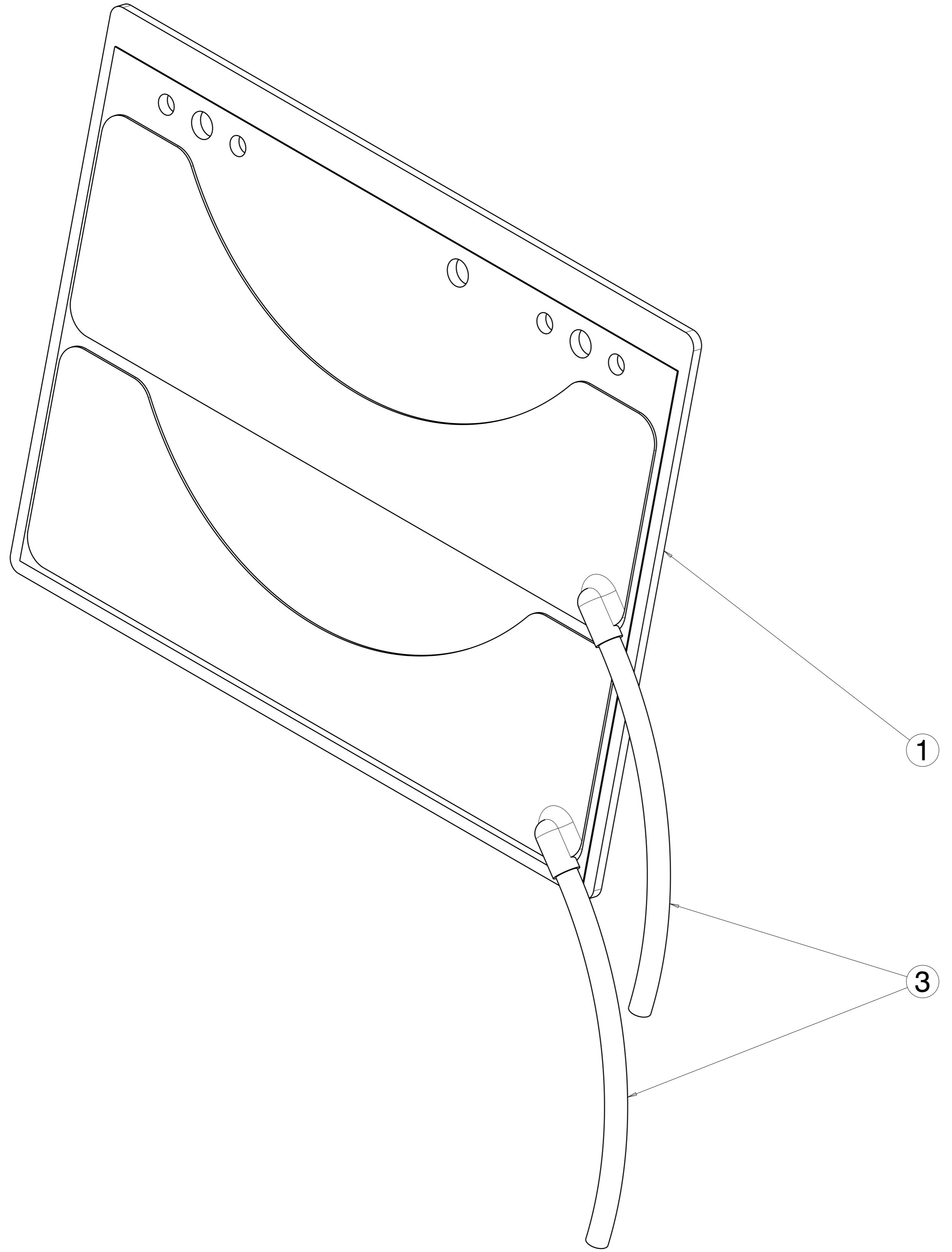


ITEM	PART NO.	PART NAME	QTY
1	H215-200	LUMBAR ASM - DOUBLE	1
2	10000	CABLE TIE	2
3	PAC-11991	HOSE - 540 MM	2
4		BAG	1
5		BOX	1



7392	AA	RELEASED FOR SERVICE	REVISION	30JUN16	BT	**	**
CHG NO.	LET			DATE	DRW	OK	APR
UNLESS OTHERWISE SPECIFIED DRAWING TOLERANCES ARE				DIMENSIONING & TOLERANCING PER ASME Y14.5 M-1994			
LINEAR		ANGULAR		LAST VIEW			
ONE PLACE	± X.X	ONE PLACE	± X.X °	LAST SECT			
TWO PLACE	± X.XX	TWO PLACE	± X.XX °	3RD ANGLE PROJECTION			
- DO NOT SCALE THIS DRAWING -				COMPUTER GENERATED GRAPHICS			
DRAWN BY				FILE NO. SEE PART BLOCK			
DATE				THIS DRAWING IS COPYRIGHTED AND REMAINS THE EXCLUSIVE PROPERTY OF GRAMMAG TRUCK INTERIOR SYSTEMS, INC. UNAUTHORIZED COPYING, REPRODUCTION OR OTHER USE IS PROHIBITED AND WILL BE PROSECUTED.			
CHECKED				UNLESS OTHERWISE SPECIFIED DIMENSIONS ARE IN MM			
APPROVED				SCALE			
MATERIAL				FULL			
NAME				NO			
LUMBAR BAG & HOSES (DOUBLE) - SERVICE KIT				PAC-SP11994-DWG			

PAC-SP11994--DWG
UNCONTROLLED