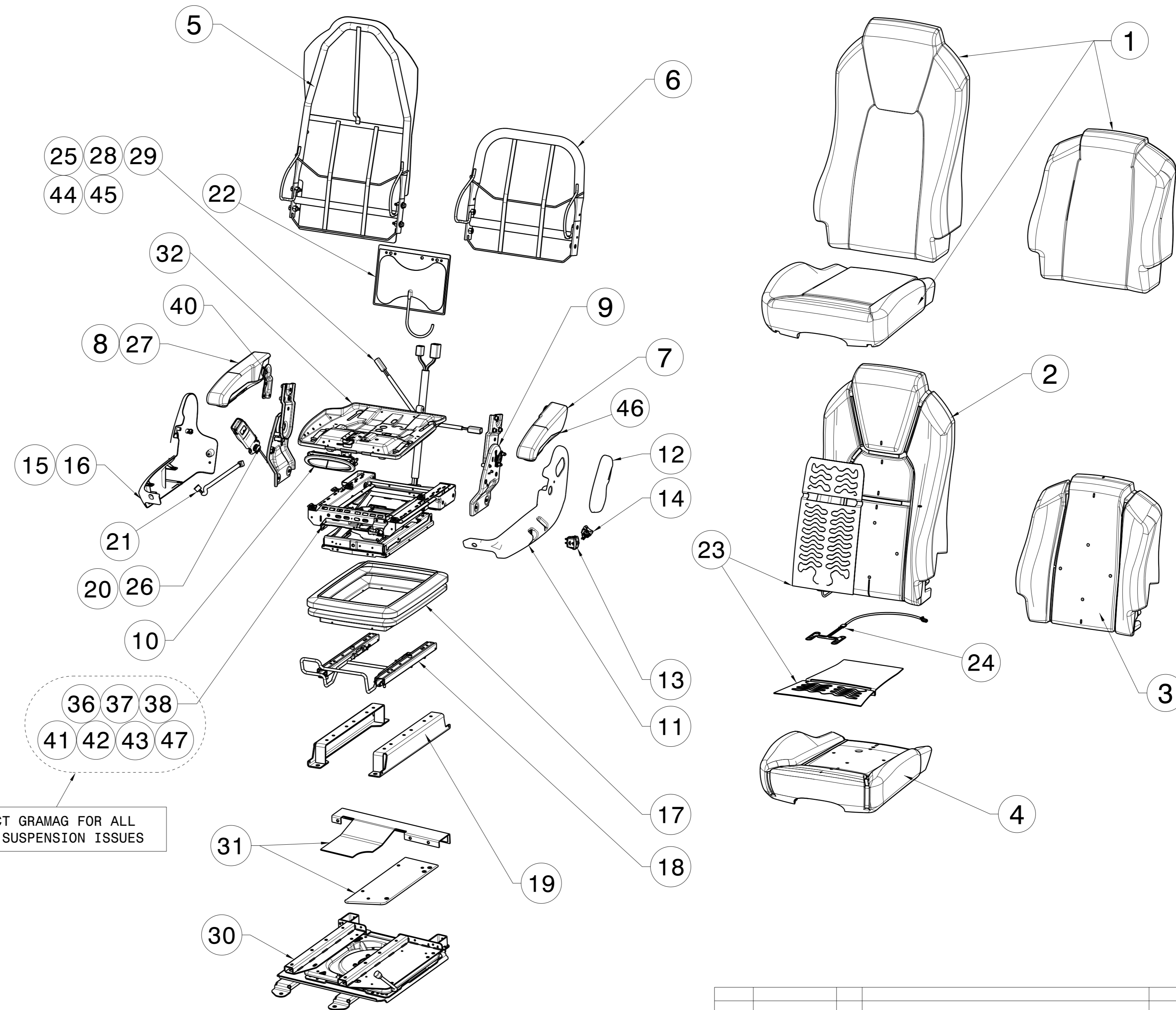


ITEM	KENWORTH PARTS	GRAMAG SERVICE KIT NO.
1	TRIM - KENWORTH	SEE DRAWING PAC-SP11981
2	FOAM - KENWORTH HIGHBACK	PAC-SP11245
3	FOAM - KENWORTH MIDBACK	PAC-SP11246
4	FOAM - KENWORTH CUSHION	PAC-SP11850
5	BACKFRAME - KENWORTH HIGHBACK	PAC-SP12126
6	BACKFRAME - KENWORTH MIDBACK	PAC-SP11251
7	ARMREST ASM LH KENWORTH	SEE DRAWING PAC-SP11811
8	ARMREST ASM RH KENWORTH	SEE DRAWING PAC-SP11812
23	HEATERS-KENWORTH BACK & CUSH.	PAC-SP11903
27	STOWABLE ARMREST RH KENWORTH	SEE DRAWING PAC-SP11813

ITEM	COMMON PARTS	GRAMAG SERVICE KIT NO.
9	FULL RECLINE AND PIVOT BRKT	PAC-SP11255
10	HANDLE ASM - CUSHION	PAC-SP11257
11	SIDE SHIELD - LH	PAC-SP11258
12	HANDLE ASM - RECLINE	PAC-SP11259
13	SWITCH - SUSPENSION HEIGHT	PAC-SP11260
14	SWITCH - LUMBAR	PAC-SP11261
15	SIDE SHIELD - RH	PAC-SP11262
16	SIDE SHIELD - RH CLIMATE	PAC-SP11263
17	SKIRT	PAC-SP11264
18	TRACK AND HANDLE ASM	PAC-SP11265
19	2 PIECE RISER 2.1M SERVICE KIT	PAC-SP12002
20	BUCKLE, WEBBED NO WIRE	PAC-SP11933
21	SWITCH - HEAT	PAC-SP11294
22	LUMBAR BAG AND HOSES	PAC-SP11993
24	OCC SENSOR	PAC-SP11272
25	WIRE HARNESS (HEAT) NGP	PAC-SP11273
26	BUCKLE, WEBBED WITH WIRE	PAC-SP11932
28	WIRE HARNESS (OCC SENSOR & BUCKLE) NGP	PAC-SP11305
29	WIRE HARNESS (OCC SENSOR, BUCKLE, HEAT) NGP	PAC-SP11306
30	SWIVEL & CARPET	PAC-SP11300
31	CARPET	PAC-SP11301
32	CUSHION PAN ASM	CONTACT GRAMAG
34	AIR SEAT HOSES AND CONNECTORS	PAC-SP11995
36	SHOCK ABSORBER	PAC-SP11879
37	SUSPENSION AIR BLADDER	PAC-SP11877
38	SEAT TILT MECHANISM	PAC-SP11880
40	STOWABLE ARM REST BRACKET	PAC-SP11869
41	FORE AND AFT ISOLATOR SERVICE KIT	PAC-SP11883
42	FORE AND AFT ISOLATOR CABLE SERVICE KIT	PAC-SP11884
43	FORE AND AFT ISOLATOR HANDLE SERVICE KIT	PAC-SP11885
44	WIRE HARNESS(WIRED BUCKLE ONLY)NGP DRIVER SERVICE KIT	PAC-SP11988
45	WIRE HARNESS(BUCKLE,HEAT)NGP DRIVER SERVICE KIT	PAC-SP11989
46	ARMREST LOCKING BOLT AND CAP SERVICE KIT	PAC-SP11996
47	CUSHION PAN GUIDE SERVICE KIT	PAC-SP12058



APPLIES TO KENWORTH PART NO'S:

S78-1141-00000000
S78-1172-00000000

REV	DATE	BY	CHKD	APP'D	DESCRIPTION
7477	DB	ADDED PAC-SP11883			11JUL18 BT LF **
7465	DA	ADDED S78-1172-00000000; REMOVED PAC-SP11250, ADDED PAC-SP12126; REMOVED PAC-SP11794			12APR18 BT LF **
7422	CC	ADDED PAC-SP12058			31MAR17 BT ** **
7414	CB	REMOVED PAC-SP11883			06JAN17 BT ** **
7402	CA	REMOVED PAC-SP11266, ADDED PAC-SP12002			19OCT16 BT ** **
7395	BC	ADDED KIT PAC-SP11996			03OCT16 BT ** **
7392	BB	REMOVED PAC-SP11270 AND PAC-SP11482; ADDED PAC-SP11993 AND PAC-SP11995; ADDED NOTE REGARDING SUSPENSIONS			06JUL16 BT ** **
7394					
7378	BA	ADDED KITS PAC-SP11988, PAC-SP11989			08MAY16 BT ** **
7334	AA	RELEASED FOR SERVICE			17NOV15 BT ** **
	CHG NO.	LET REVISION			DATE DRW CK APR

UNLESS OTHERWISE SPECIFIED DRAWING TOLERANCES ARE:		DIMENSIONING & TOLERANCING PER ASME Y14.5 M-1994	
LINEAR		ANGULAR	
ONE PLACE ± X.X	TWO PLACE ± X.XX	ONE PLACE ± X.X °	TWO PLACE ± X.XX °
COMPUTER GENERATED GRAPHICS			
DRAWN BY		DATE	CHECKED
INTENT		04APR12	** **
MATERIAL		SCALE	
NAME		NO	
2.1M CAB GT701 SEAT ASM SERVICE KIT		PAC-SP11898-DWG	

PAC-SP11898-DWG
UNCONTROLLED