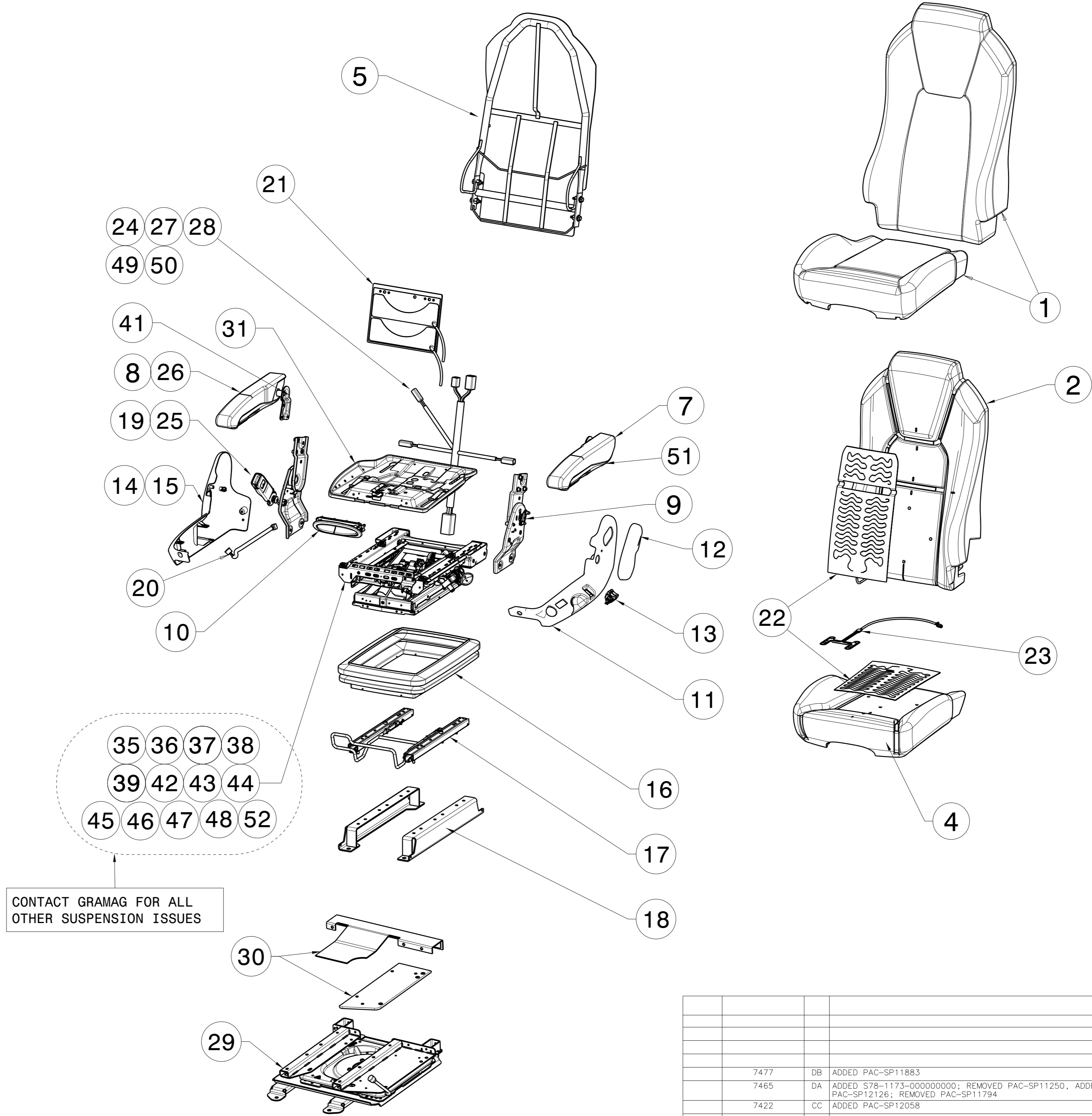


ITEM	KENWORTH PARTS	GRAMAG SERVICE KIT NO.
1	TRIM - KENWORTH	SEE DRAWING PAC-SP11981
2	FOAM - KENWORTH HIGHBACK	PAC-SP11245
4	FOAM - KENWORTH CUSHION	PAC-SP11850
5	BACKFRAME - KENWORTH HIGHBACK	PAC-SP12126
7	ARMREST ASM LH KENWORTH	SEE DRAWING PAC-SP11811
8	ARMREST ASM RH KENWORTH	SEE DRAWING PAC-SP11812
22	HEATERS-KENWORTH BACK & CUSH.	PAC-SP11903
26	STOWABLE ARMREST KENWORTH	SEE DRAWING PAC-SP11813

ITEM	COMMON PARTS	GRAMAG SERVICE KIT NO.
9	FULL RECLINE AND PIVOT BRKT	PAC-SP11255
10	HANDLE ASM - CUSHION	PAC-SP11257
11	SIDE SHIELD - LH GT702	PAC-SP11303
12	HANDLE ASM - RECLINE	PAC-SP11259
13	SWITCH - LUMBAR - DOUBLE	PAC-SP11325
14	SIDE SHIELD - RH	PAC-SP11262
15	SIDE SHIELD - RH CLIMATE	PAC-SP11263
16	SKIRT	PAC-SP11264
17	TRACK AND HANDLE ASM	PAC-SP11265
18	2 PIECE RISER 2.1M SERVICE KIT	PAC-SP12002
19	BUCKLE, WEBBED NO WIRE	PAC-SP11933
20	SWITCH - HEAT	PAC-SP11294
21	LUMBAR BAG AND HOSES (DOUBLE)	PAC-SP11994
23	OCC SENSOR	PAC-SP11272
24	WIRE HARNESS (HEAT) NGP	PAC-SP11273
25	BUCKLE, WEBBED WITH WIRE	PAC-SP11932
27	WIRE HARNESS (OCC SENSOR & BUCKLE) NGP	PAC-SP11305
28	WIRE HARNESS (OCC SENSOR, BUCKLE, HEAT) NGP	PAC-SP11306
29	SWIVEL & CARPET	PAC-SP11300
30	CARPET	PAC-SP11301
31	CUSHION PAN ASM	CONTACT GRAMAG
33	AIR SEAT HOSES AND CONNECTORS	PAC-SP11995
35	DAMPENER, VARIABLE	PAC-SP11878
36	SWITCH ASM - PREMIUM SUSPENSION	PAC-SP11876
37	SUSPENSION AIR BLADDER	PAC-SP11877
38	SUSPENSION LEVEL CONTROL	PAC-SP11817
39	SEAT TILT MECHANISM	PAC-SP11880
41	STOWABLE ARM REST BRACKET	PAC-SP11869
42	HEIGHT ADJUSTMENT CABLE SERVICE KIT	PAC-SP11873
43	QUICK DOWN CABLE SERVICE KIT	PAC-SP11874
44	DAMPENER CABLE SERVICE KIT	PAC-SP11875
45	DAMPENER ADJUSTMENT HANDLE SERVICE KIT	PAC-SP11882
46	FORE AND AFT ISOLATOR SERVICE KIT	PAC-SP11883
47	FORE AND AFT ISOLATOR CABLE SERVICE KIT	PAC-SP11884
48	FORE AND AFT ISOLATOR HANDLE SERVICE KIT	PAC-SP11885
49	WIRE HARNESS(WIRED BUCKLE ONLY)NGP DRIVER SERVICE KIT	PAC-SP11988
50	WIRE HARNESS(BUCKLE,HEAT)NGP DRIVER SERVICE KIT	PAC-SP11989
51	ARMREST LOCKING BOLT AND CAP SERVICE KIT	PAC-SP11996
52	CUSHION PAN GUIDE SERVICE KIT	PAC-SP12058



APPLIES TO KENWORTH PART NO'S:

S78-1142-00000000
S78-1173-00000000

REV	CHG NO.	DATE	BY	CHK	APP	DESCRIPTION
7477	DB					ADDED PAC-SP11883
7465	DA					ADDED S78-1173-00000000; REMOVED PAC-SP11250; ADDED PAC-SP12126; REMOVED PAC-SP11794
7422	CC					ADDED PAC-SP12058
7414	CB					REMOVED PAC-SP11883
7402	CA					REMOVED PAC-SP11266; ADDED PAC-SP12002
7395	BC					ADDED KIT PAC-SP11996
7392	BB					REMOVED PAC-SP11336 AND PAC-SP11482; ADDED PAC-SP11994 AND PAC-SP11995; ADDED NOTE REGARDING SUSPENSIONS
7378	BA					ADDED KITS PAC-SP11988, PAC-SP11989
7334	AA					RELEASED FOR SERVICE
FRAME	CHG NO.	LET	REVISION			DATE

UNLESS OTHERWISE SPECIFIED DRAWING TOLERANCES ARE: LINEAR ONE PLACE ± X.X TWO PLACE ± X.XX		ANGULAR ONE PLACE ± X.X° TWO PLACE ± X.XX°		DIMENSIONING & TOLERANCING PER ASME Y14.5 M-1994 LAST VIEW LAST SECT 3RD ANGLE PROJECTION	
- DO NOT SCALE THIS DRAWING -				COMPUTER GENERATED GRAPHICS FILE NO. SEE PART BLOCK	
DRAWN BY	DATE	CHECKED	APPROVED	THIS DRAWING IS COPYRIGHTED AND REMAINS THE EXCLUSIVE PROPERTY OF GRAMAG INTERIOR SYSTEMS, INC. UNAUTHORIZED COPYING, REPRODUCTION OR OTHER USE IS PROHIBITED AND WILL BE PROSECUTED.	
INTENT	04APR12	**	**	UNLESS OTHERWISE SPECIFIED DIMENSIONS ARE IN MM	
MATERIAL			GRAMAG		SCALE X
NAME 2.1M CAB GT702 SEAT ASM SERVICE KIT			NO PAC-SP11897-DWG		

PAC-SP11897-DWG UNCONTROLLED