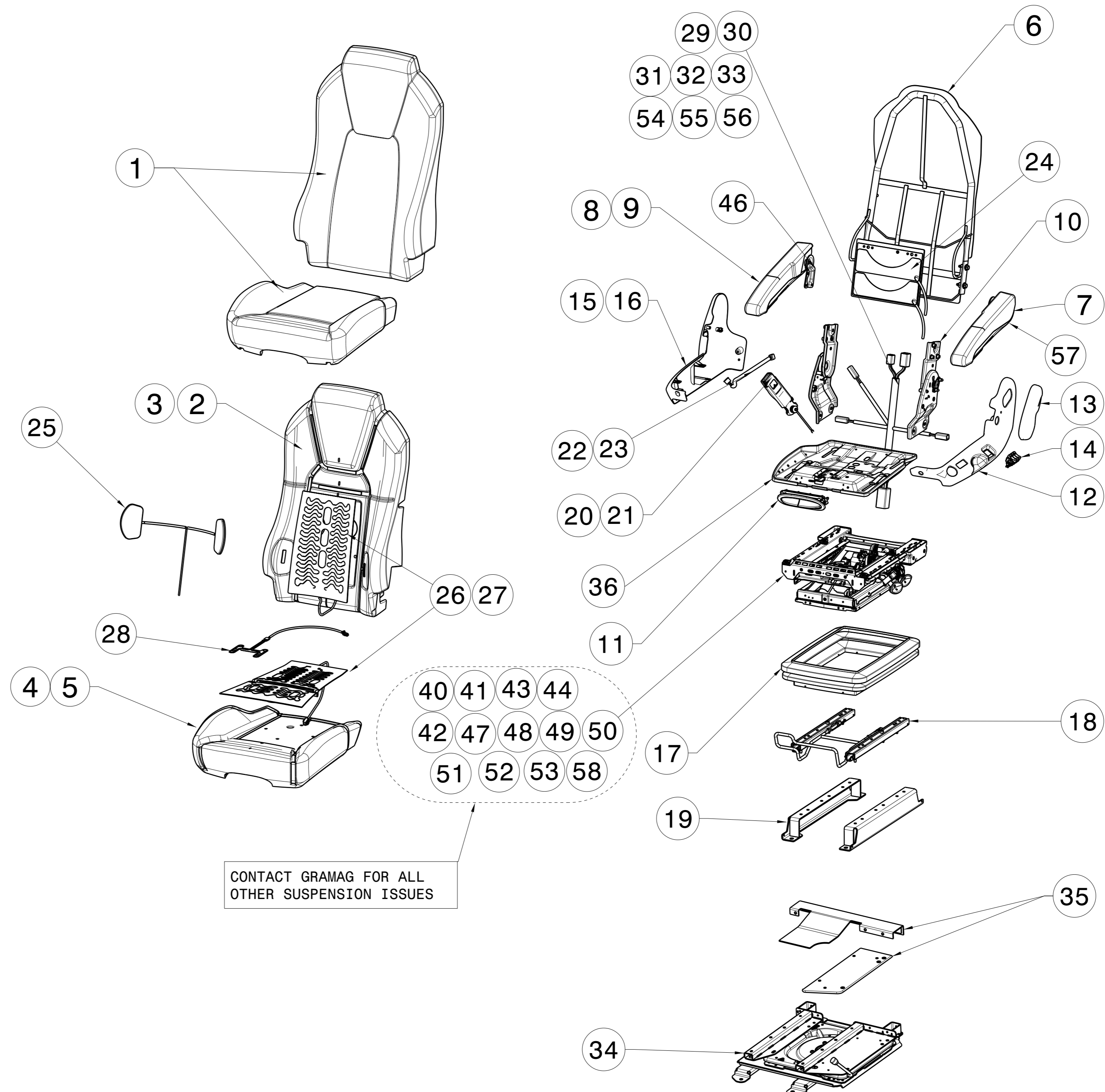


ITEM	KENWORTH PARTS	GRAMAG SERVICE KIT NO.
1	TRIM - KENWORTH	SEE DRAWING PAC-SP11981
2	FOAM - KENWORTH BACK	PAC-SP11326
3	FOAM - KENWORTH BACK VENT	PAC-SP11327
4	FOAM - KENWORTH CUSHION	PAC-SP11850
5	FOAM - KENWORTH CUSHION VENT	PAC-SP11849
6	BACKFRAME - KENWORTH HIGHBACK	PAC-SP12126
7	ARMREST ASM LH KENWORTH	SEE DRAWING PAC-SP11811
8	ARMREST ASM RH KENWORTH	SEE DRAWING PAC-SP11812
9	STOWABLE ARMREST RH KENWORTH	SEE DRAWING PAC-SP11813
26	HEATERS-KENWORTH BACK & CUSH	PAC-SP11903

ITEM	COMMON PARTS	GRAMAG SERVICE KIT NO.
10	FULL RECLINE AND PIVOT BRKT	PAC-SP11255
11	HANDLE ASM - CUSHION	PAC-SP11257
12	SIDE SHIELD - LH GT703	PAC-SP11334
13	HANDLE ASM - RECLINE	PAC-SP11259
14	SWITCH - LUMBAR TRIPLE GT703	PAC-SP11335
15	SIDE SHIELD - RH	PAC-SP11262
16	SIDE SHIELD - RH CLIMATE	PAC-SP11263
17	SKIRT	PAC-SP11264
18	TRACK AND HANDLE ASM	PAC-SP11265
19	2 PIECE RISER 2.1M SERVICE KIT	PAC-SP12002
20	BUCKLE, WEBBED NO WIRE	PAC-SP11933
21	BUCKLE, WEBBED WITH WIRE	PAC-SP11932
22	SWITCH - HEAT	PAC-SP11294
23	SWITCH - HEAT & VENT	PAC-SP11274
24	LUMBAR BAG (DOUBLE) AND HOSES	PAC-SP11994
25	BOLSTER BAG AND HOSES	PAC-SP11340
27	VENT/HEAT KW & PB BACK & CUSH	PAC-SP11339
28	OCC SENSOR	PAC-SP11272
29	WIRE HARNESS (HEAT) NGP	PAC-SP11273
30	WIRE HARNESS (OCC SENSOR & BUCKLE) NGP	PAC-SP11305
31	WIRE HARNESS (OCC SENSOR, BUCKLE, HEAT) NGP	PAC-SP11306
32	WIRE HARNESS (HEAT & VENT) NGP GT703	PAC-SP11341
33	WIRE HARNESS ( OCC SENSOR, BUCKLE, HEAT & VENT) NGP GT703	PAC-SP11342
34	SWIVEL & CARPET	PAC-SP11300
35	CARPET	PAC-SP11301
36	CUSHION PAN ASM	CONTACT GRAMAG
38	AIR SEAT HOSES AND CONNECTORS	PAC-SP11995
40	DAMPENER, VARIABLE	PAC-SP11878
41	SUSPENSION AIR BLADDER	PAC-SP11877
42	SWITCH ASM - PREMIUM SUSPENSION	PAC-SP11876
43	SUSPENSION LEVEL CONTROL	PAC-SP11817
44	SEAT TILT MECHANISM	PAC-SP11880
46	STOWABLE ARM REST BRACKET	PAC-SP11869
47	HEIGHT ADJUSTMENT CABLE SERVICE KIT	PAC-SP11873
48	QUICK DOWN CABLE SERVICE KIT	PAC-SP11874
49	DAMPENER CABLE SERVICE KIT	PAC-SP11875
50	DAMPENER ADJUSTMENT HANDLE SERVICE KIT	PAC-SP11882
51	FORE AND AFT ISOLATOR SERVICE KIT	PAC-SP11883
52	FORE AND AFT ISOLATOR CABLE SERVICE KIT	PAC-SP11884
53	FORE AND AFT ISOLATOR HANDLE SERVICE KIT	PAC-SP11885
54	WIRE HARNESS(WIRED BUCKLE ONLY)NGP DRIVER SERVICE KIT	PAC-SP11988
55	WIRE HARNESS(BUCKLE,HEAT)NGP DRIVER SERVICE KIT	PAC-SP11989
56	WIRE HARNESS(BUCKLE,HEAT+CLIMATE)NGP DRIVER SERVICE KIT	PAC-SP11990
57	ARMREST LOCKING BOLT AND CAP SERVICE KIT	PAC-SP11996
58	CUSHION PAN GUIDE SERVICE KIT	PAC-SP12058



APPLIES TO KENWORTH PART NO'S:

S78-1143-00000000  
S78-1174-00000000

REV	DATE	BY	CHKD	DESCRIPTION	DATE	BY	CHKD	DESCRIPTION
7477	DB			ADDED PAC-SP11883	11JUL18	BT	LF	**
7465	DA			ADDED S78-1174-000000000; REMOVED PAC-SP11250, ADDED PAC-SP12126; REMOVED PAC-SP11794	12APR18	BT	LF	**
7422	CC			ADDED PAC-SP12058	31MAR17	BT	**	**
7414	CB			REMOVED PAC-SP11883	06JAN17	BT	**	**
7402	CA			REMOVED PAC-SP11266, ADDED PAC-SP12002	19OCT16	BT	**	**
7395	BC			ADDED KIT PAC-SP11996	03OCT16	BT	**	**
7392	BB			REMOVED PAC-SP11336 AND PAC-SP11482; ADDED PAC-SP11994 AND PAC-SP11995; ADDED NOTE REGARDING SUSPENSIONS	06JUL16	BT	**	**
7378	BA			ADDED KITS PAC-11988, PAC-11989, PAC-11990	30MAR16	BT	**	**
7354	AA			RELEASED FOR SERVICE	17NOV15	BT	**	**
	CHG NO.	LET	REVISION		DATE	DRW	CHK	APPR

UNLESS OTHERWISE SPECIFIED DRAWING TOLERANCES ARE: LINEAR ONE PLACE ± X.X TWO PLACE ± X.XX		ANGULAR ONE PLACE ± X.X ° TWO PLACE ± X.XX °		DIMENSIONING & TOLERANCING PER ASME Y14.5 M-1994 LAST VIEW FIRST ANGLE PROJECTION	
- DO NOT SCALE THIS DRAWING -				COMPUTER GENERATED GRAPHICS FILE NO. SEE PART BLOCK	
DRAWN BY	DATE	CHECKED	APPROVED	THIS DRAWING IS COPYRIGHTED AND REMAINS THE EXCLUSIVE PROPERTY OF GRAMAG SYSTEMS, INC. UNAUTHORIZED COPYING, REPRODUCTION OR OTHER USE IS PROHIBITED AND WILL BE PROSECUTED.	
INTENT	04APR12	**	**	UNLESS OTHERWISE SPECIFIED DIMENSIONS ARE IN MM	
MATERIAL			<b>GRAMAG</b>		SCALE X
NAME 2.1M CAB GT703 SEAT ASM SERVICE KIT			NO PAC-SP11896-DWG		

PAC-SP11896-DWG  
UNCONTROLLED