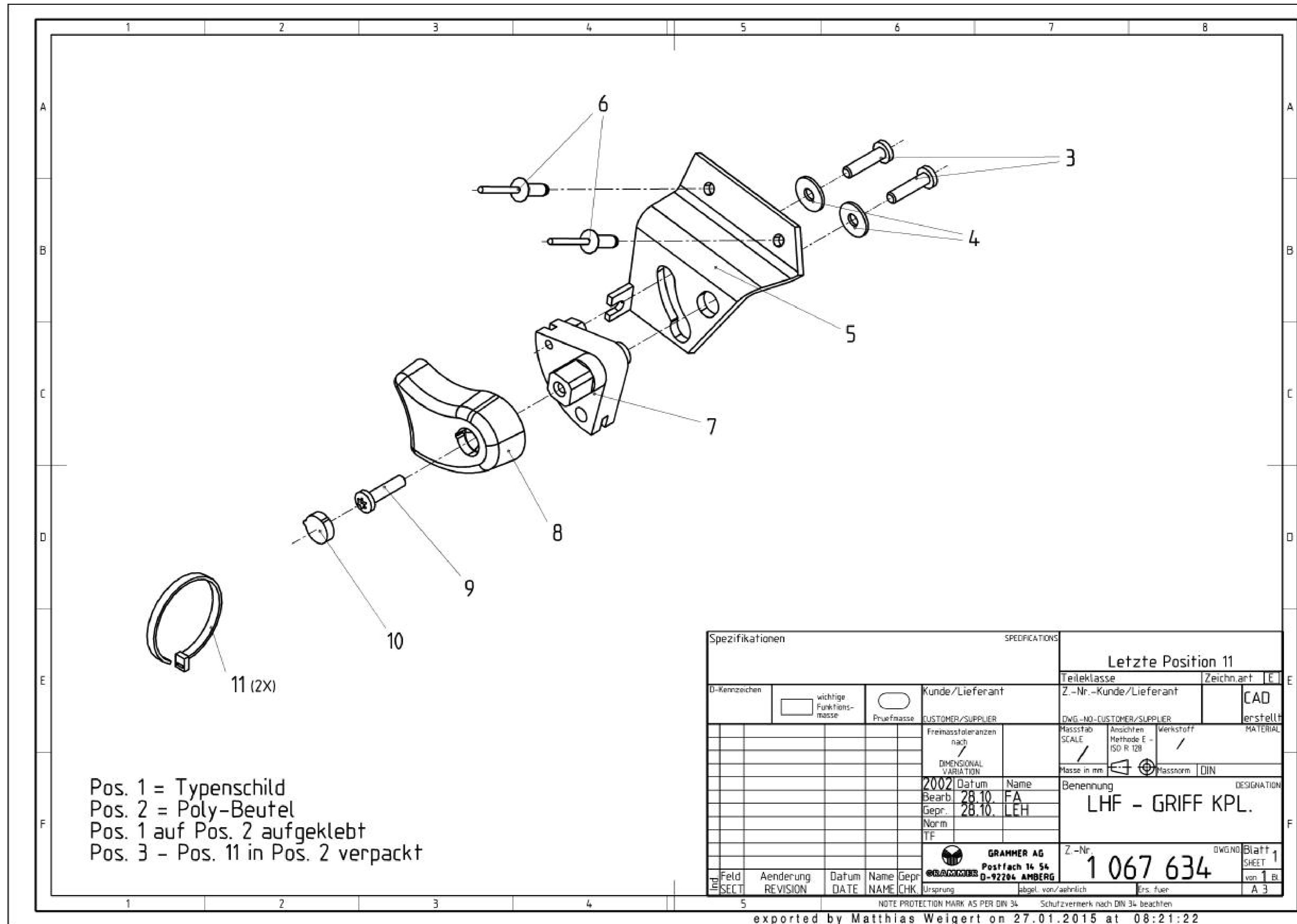


ITEM	PART NO.	PART NAME	QTY
1	1067634	FORE AND AFT ISOLATOR HANDLE	1
2		BOX	1



CHG. NO.	AA	RELEASED FOR SERVICE	REVISION	DATE	DRW	CHK	APR
7332	AA	RELEASED FOR SERVICE		01AP15	DRW	CHK	APR

UNLESS OTHERWISE SPECIFIED DRAWING TOLERANCES ARE:  
 LINEAR: ONE PLACE ± X.X, TWO PLACE ± X.XX  
 ANGULAR: ONE PLACE ± X.X°, TWO PLACE ± X.XX°

COMPUTER GENERATED GRAPHICS  
 FILE NO.: SEE PART BLOCK

SCALE: 1:2

NAME: FORE AND AFT ISOLATOR HANDLE SERVICE KIT  
 NO: PAC-SP11885-DWG

PAC-SP11885-DWG  
 UNCONTROLLED