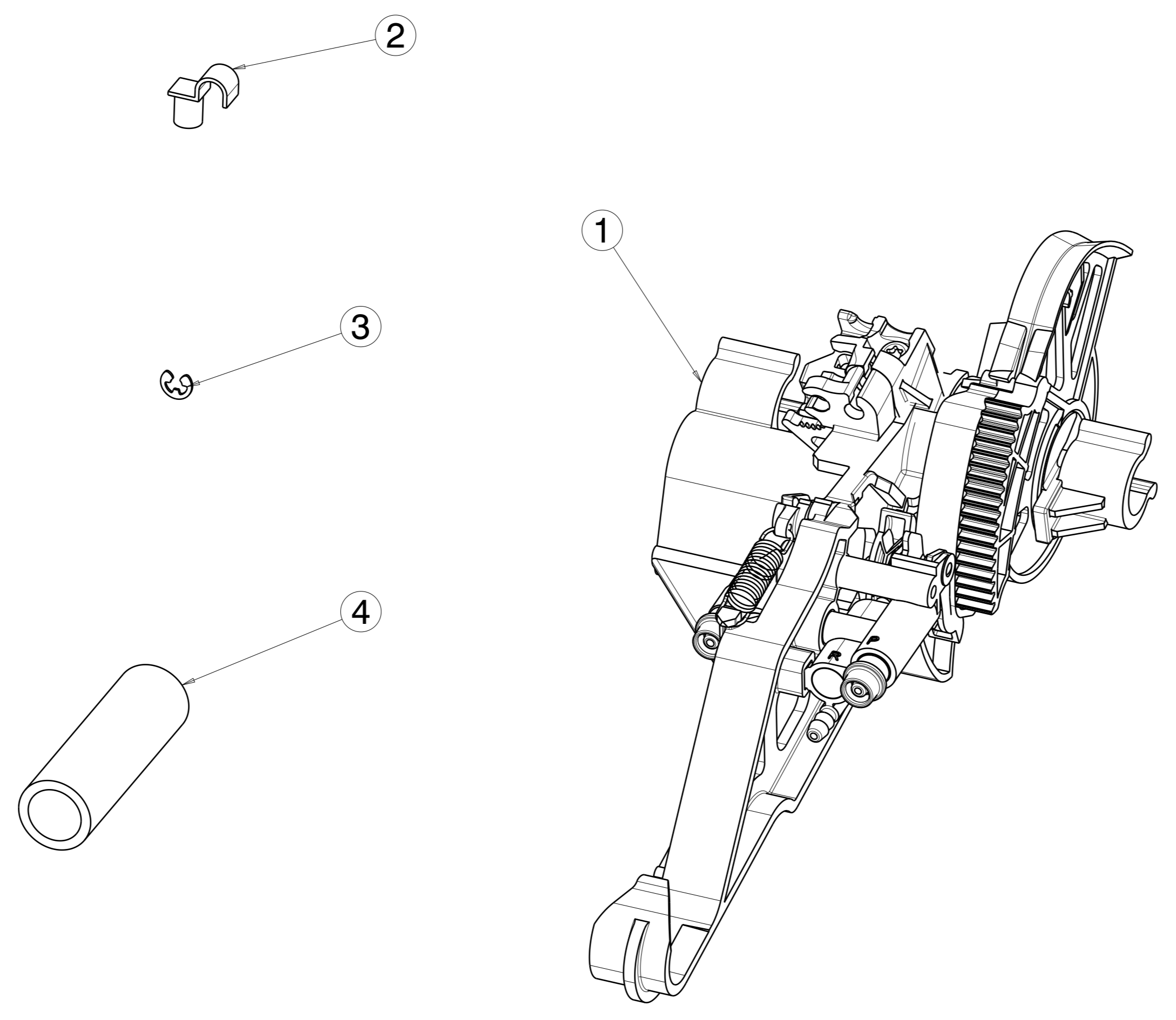
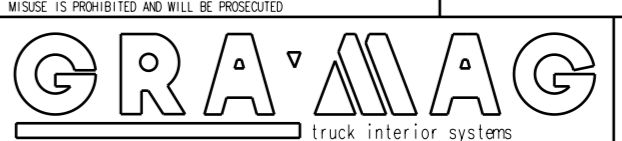


ITEM	PART NO.	PART NAME	QTY
1	1143669	SUSPENSION LEVEL CONTROL	1
2	HURCBH-4-01	HALF-U ROUTING CLIP	1
3	PAC-10839	E-RING	1
4	PAC-11818	SUSPENSION PROP (BUILD AID)	1
5		BAG	1
6		BOX	1



Isometric view  
Scale: 1:1

7355	BA	REMOVED WORK INSTRUCTIONS FROM PARTS LIST	13AUG15	BT	**	**
7277	AA	RELEASED FOR SERVICE	05MAR14	INT	**	**
FRAME	CHG NO.	LET	REVISION	DATE	DRW	OK APR
UNLESS OTHERWISE SPECIFIED DRAWING TOLERANCES ARE			DIMENSIONING & TOLERANCING PER ASME Y14.5 M-1994			
LINEAR			LAST VIEW			
ONE PLACE ± X.X			LAST SECT			
TWO PLACE ± X.XX			3RD ANGLE PROJECTION			
ANGULAR			COMPUTER GENERATED GRAPHICS			
ONE PLACE ± X.X °			FILE NO. SEE PART BLOCK			
TWO PLACE ± X.XX °			- DO NOT SCALE THIS DRAWING -			
DRAWN BY	DATE	CHECKED	APPROVED	THIS DRAWING IS COPYRIGHTED AND REMAINS THE EXCLUSIVE PROPERTY OF GRAMMAG TRUCK INTERIOR SYSTEMS, INC. UNAUTHORIZED COPYING, REPRODUCTION OR OTHER USE IS PROHIBITED AND WILL BE PROSECUTED.		
INTENT	20APR12	**	**	UNLESS OTHERWISE SPECIFIED DIMENSIONS ARE IN MM		
MATERIAL					SCALE FULL	
NAME			NO		SCALE FULL	
SUSPENSION LEVEL CONTROL SERVICE KIT			PAC-SP11817-DWG			

PAC-SP11817-DWG  
UNCONTROLLED