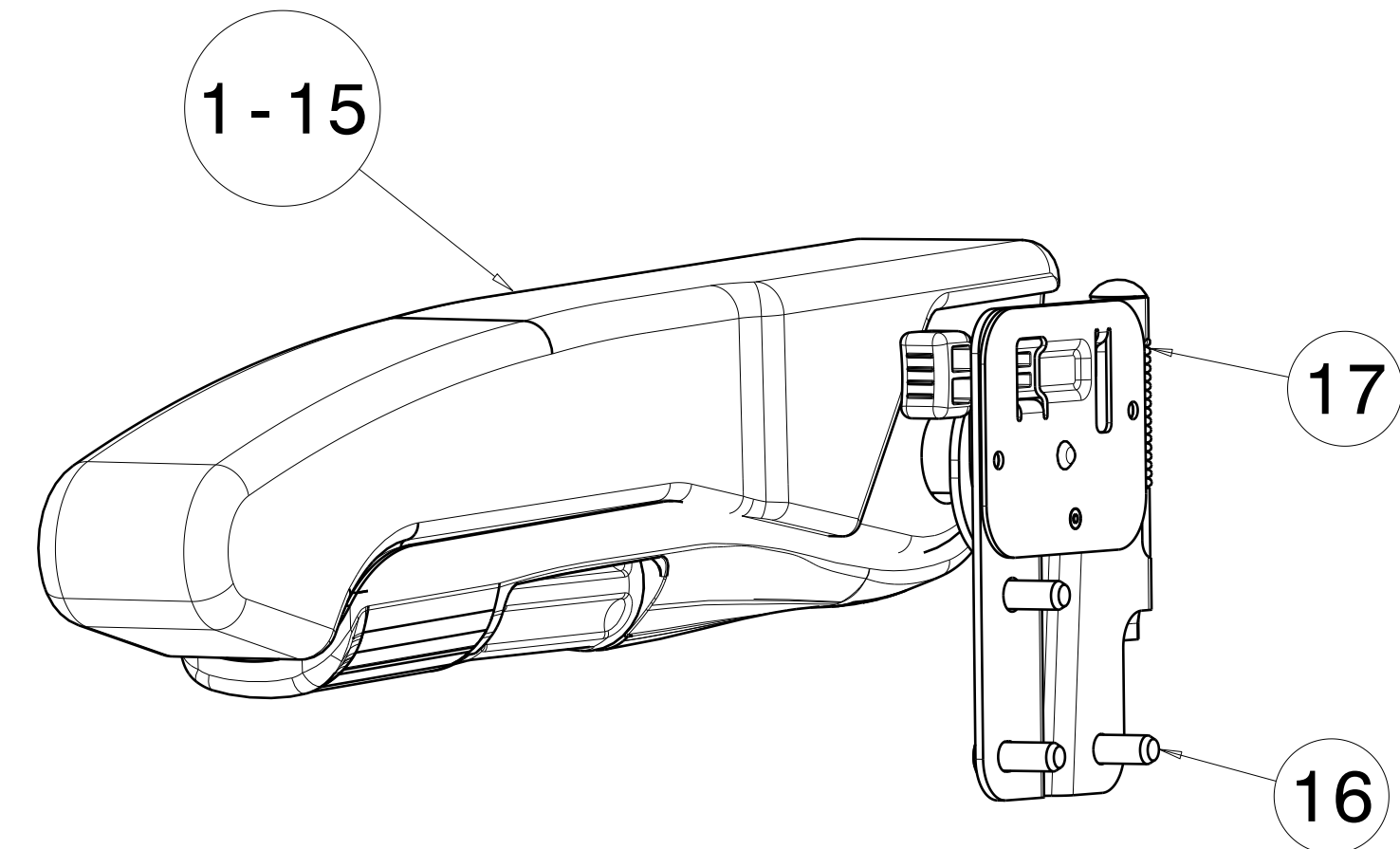


ITEM	PART NO.	PART NAME	QTY	QTY	QTY	QTY	QTY	QTY	QTY	QTY	QTY	QTY	QTY	QTY	QTY	QTY	QTY	
1	PAC-1C45-11946	ARMREST ASM TRIMMED RH, CLOTH, DARK SLATE	1															
2	PAC-1C52-11946	ARMREST ASM TRIMMED RH, CLOTH, MEDIUM GRAY		1														
3	PAC-1C53-11946	ARMREST ASM TRIMMED RH, CLOTH, MEDIUM TAN			1													
4	PAC-1C71-11946	ARMREST ASM TRIMMED RH, CLOTH, MEDIUM BROWN				1												
5	PAC-1S52-11947	ARMREST ASM TRIMMED RH, SYNTHETIC LEATHER, DARK SLATE					1											
6	PAC-1S53-11947	ARMREST ASM TRIMMED RH, SYNTHETIC LEATHER, MEDIUM TAN						1										
7	PAC-1S45-11947	ARMREST ASM TRIMMED RH, SYNTHETIC LEATHER, DARK SLATE							1									
8	PAC-1V58-11948	ARMREST ASM TRIMMED RH, VINYL, DARK SLATE								1								
9	PAC-1V56-11948	ARMREST ASM TRIMMED RH, VINYL, MEDIUM GRAY									1							
10	PAC-1V57-11948	ARMREST ASM TRIMMED RH, VINYL, MEDIUM TAN										1						
11	PAC-1V66-11948	ARMREST ASM TRIMMED RH, VINYL, BLACK											1					
12	PAC-1V74-11948	ARMREST ASM TRIMMED RH, VINYL, BLACK W/BLUE STITCHING												1				
13	PAC-1V70-11948	ARMREST ASM TRIMMED RH, VINYL, BLACK W/GREY STITCHING													1			
14	PAC-1V71-11948	ARMREST ASM TRIMMED RH, VINYL, BROWN														1		
15	PAC-11753	ARMREST ASSY RH																1
16	14081021	BOLT - M8 X 20 (PAC-11238)	3	3	3	3	3	3	3	3	3	3	3	3	3	3	3	3
17	PAC-10203	BRACKET - STOWABLE ARMREST RH	1	1	1	1	1	1	1	1	1	1	1	1	1	1	1	1
18	PAC-11749	LOCKING BOLT, ARMREST	1	1	1	1	1	1	1	1	1	1	1	1	1	1	1	1
19		BAG - FASTENERS	1	1	1	1	1	1	1	1	1	1	1	1	1	1	1	1
20		BOX	1	1	1	1	1	1	1	1	1	1	1	1	1	1	1	1



Isometric view
Scale: 1:2

KIT NUMBER	KIT DESCRIPTION
PAC-SP1C45-11813	STOWABLE ARMREST ASM RH SERVICE KIT - KENWORTH CLOTH, DARK SLATE
PAC-SP1C52-11813	STOWABLE ARMREST ASM RH SERVICE KIT - KENWORTH CLOTH, MEDIUM GRAY
PAC-SP1C53-11813	STOWABLE ARMREST ASM RH SERVICE KIT - KENWORTH CLOTH, MEDIUM TAN
PAC-SP1C71-11813	STOWABLE ARMREST ASM RH SERVICE KIT - KENWORTH CLOTH, BROWN
PAC-SP1S52-11813	STOWABLE ARMREST ASM RH SERVICE KIT - KENWORTH SYNTHETIC LEATHER, MEDIUM GRAY
PAC-SP1S53-11813	STOWABLE ARMREST ASM RH SERVICE KIT - KENWORTH SYNTHETIC LEATHER, MEDIUM TAN
PAC-SP1S45-11813	STOWABLE ARMREST ASM RH SERVICE KIT - KENWORTH SYNTHETIC LEATHER, DARK SLATE
PAC-SP1V58-11813	STOWABLE ARMREST ASM RH SERVICE KIT - KENWORTH VINYL, DARK SLATE
PAC-SP1V56-11813	STOWABLE ARMREST ASM RH SERVICE KIT - KENWORTH VINYL, MEDIUM GRAY
PAC-SP1V57-11813	STOWABLE ARMREST ASM RH SERVICE KIT - KENWORTH VINYL, MEDIUM TAN
PAC-SP1V66-11813	STOWABLE ARMREST ASM RH SERVICE KIT - KENWORTH VINYL, BLACK
PAC-SP1V74-11813	STOWABLE ARMREST ASM RH SERVICE KIT - KENWORTH VINYL, BLACK W/BLUE STITCHING
PAC-SP1V70-11813	STOWABLE ARMREST ASM RH SERVICE KIT - KENWORTH VINYL, GREY W/GREY STITCHING
PAC-SP1V71-11813	STOWABLE ARMREST ASM RH SERVICE KIT - KENWORTH VINYL, BROWN
PAC-SP11813	STOWABLE ARMREST ASM RH SERVICE KIT - UNTRIMMED

7483	BC	RELEASED SERVICE PART NUMBERS FOR TRIM CODES 1C71, 1V70 AND 1V71	18DEC18	BT	LF	**
7474	BB	RELEASED SERVICE PART NUMBER FOR TRIM CODE 74	26JUN18	BT	**	**
7345	BA	REVISED PN FOR ARMREST TRIMMED ASSEMBLIES	10SEP15	BT	**	**
7261	AA	RELEASED FOR SERVICE LONGER ARMREST	28JAN14	INT	**	**
CHG NO.	LET	REVISION	DATE	EDW	CK	APR

UNLESS OTHERWISE SPECIFIED DRAWING TOLERANCES ARE:
 LINEAR: ONE PLACE ± X.X, TWO PLACE ± X.XX
 ANGULAR: ONE PLACE ± X.X°, TWO PLACE ± X.XX°
 DIMENSIONING & TOLERANCING PER ASME Y14.5 M-1994
 3RD ANGLE PROJECTION
 COMPUTER GENERATED GRAPHICS
 FILE NO. SEE PART BLOCK
 DO NOT SCALE THIS DRAWING

DRAWN BY	DATE	CHECKED	APPROVED
INTENT	OSMARTZ	**	**

MATERIAL: STOWABLE ARMREST - RH KENWORTH SERVICE KIT

SCALE: FULL

NAME: STOWABLE ARMREST - RH KENWORTH SERVICE KIT
 NO: PAC-SP11813-DWG

PAC-SP11813-DWG
 UNCONTROLLED