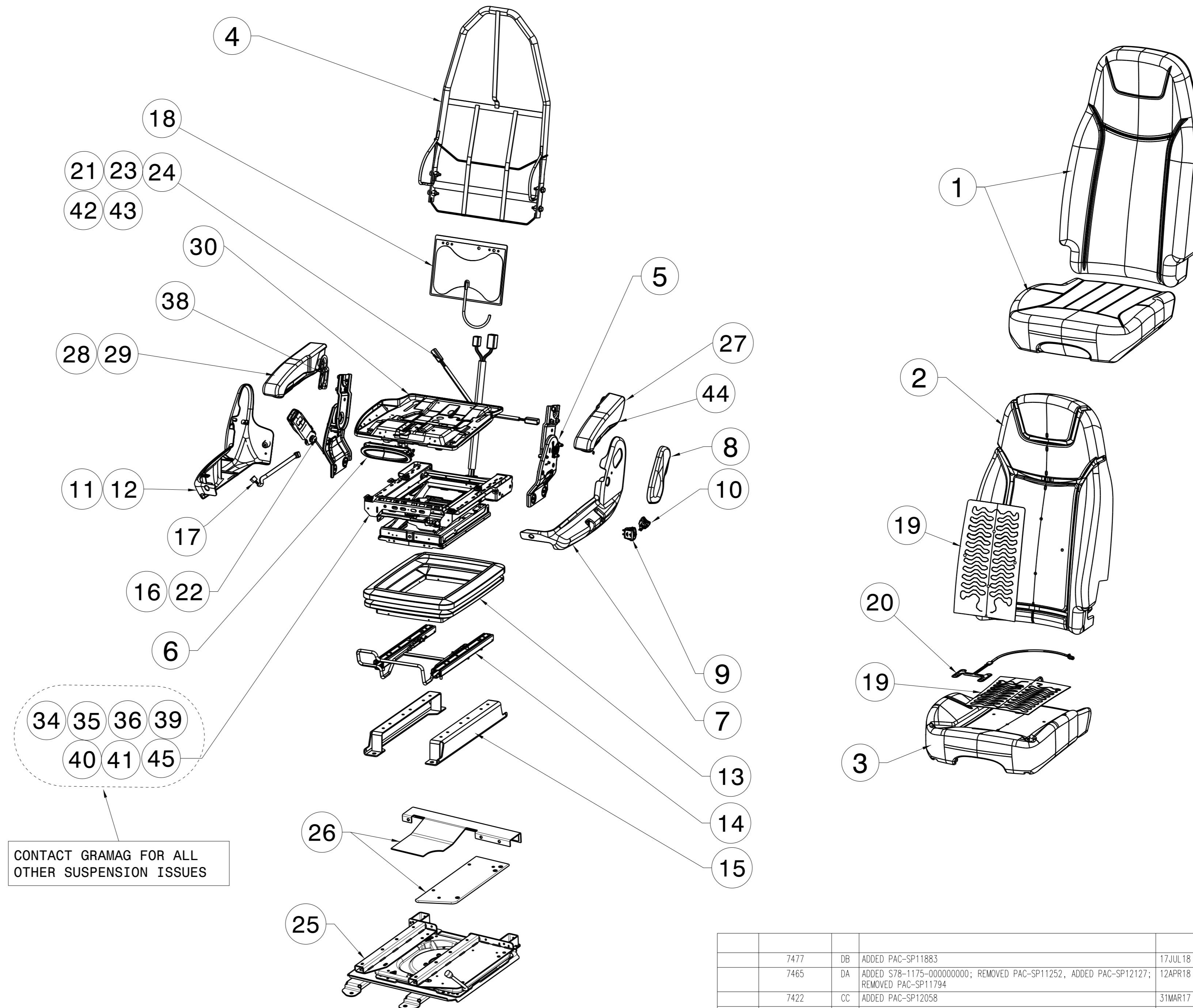


ITEM	PETERBILT PARTS	GRAMAG SERVICE KIT NO.
1	TRIM - PETERBILT	SEE DRAWING PAC-SP12004
2	FOAM - PETERBILT HIGHBACK	PAC-SP11248
3	FOAM - PETERBILT CUSHION	PAC-SP11249
4	BACKFRAME - PETERBILT	PAC-SP12127
19	HEATERS-PETERBILT BACK & CUSH.	PAC-SP11304
27	ARMREST ASM LH PETERBILT	SEE DRAWING PAC-SP11814
28	ARMREST ASM RH PETERBILT	SEE DRAWING PAC-SP11815
29	STOWABLE ARMREST RH PETERBILT	SEE DRAWING PAC-SP11816

ITEM	COMMON PARTS	GRAMAG SERVICE KIT NO.
5	FULL RECLINE AND PIVOT BRKT	PAC-SP11255
6	HANDLE ASM - CUSHION	PAC-SP11257
7	SIDE SHIELD - LH	PAC-SP11258
8	HANDLE ASM - RECLINE	PAC-SP11259
9	SWITCH - SUSPENSION HEIGHT	PAC-SP11260
10	SWITCH - LUMBAR	PAC-SP11261
11	SIDE SHIELD - RH	PAC-SP11262
12	SIDE SHIELD - RH CLIMATE	PAC-SP11263
13	SKIRT	PAC-SP11264
14	TRACK AND HANDLE ASM	PAC-SP11265
15	2 PIECE RISER 2.1M SERVICE KIT	PAC-SP12002
16	BUCKLE, WEBBED NO WIRE	PAC-SP11933
17	SWITCH - HEAT	PAC-SP11294
18	LUMBAR BAG AND HOSES	PAC-SP11993
20	OCC SENSOR	PAC-SP11272
21	WIRE HARNESS (HEAT) NGP	PAC-SP11273
22	BUCKLE, WEBBED WITH WIRE	PAC-SP11932
23	WIRE HARNESS (OCC SENSOR & BUCKLE) NGP	PAC-SP11305
24	WIRE HARNESS (OCC SENSOR, BUCKLE, HEAT) NGP	PAC-SP11306
25	SWIVEL & CARPET	PAC-SP11300
26	CARPET	PAC-SP11301
30	CUSHION PAN ASM	CONTACT GRAMAG
32	AIR SEAT HOSES AND CONNECTORS	PAC-SP11995
34	SHOCK ABSORBER	PAC-SP11879
35	SUSPENSION AIR BLADDER	PAC-SP11877
36	SEAT TILT MECHANISM	PAC-SP11880
38	STOWABLE ARM REST BRACKET	PAC-SP11869
39	FORE AND AFT ISOLATOR SERVICE KIT	PAC-SP11883
40	FORE AND AFT ISOLATOR CABLE SERVICE KIT	PAC-SP11884
41	FORE AND AFT ISOLATOR HANDLE SERVICE KIT	PAC-SP11885
42	WIRE HARNESS(WIRED BUCKLE ONLY)NGP DRIVER SERVICE KIT	PAC-SP11988
43	WIRE HARNESS(BUCKLE,HEAT)NGP DRIVER SERVICE KIT	PAC-SP11989
44	ARMREST LOCKING BOLT AND CAP SERVICE KIT	PAC-SP11996
45	CUSHION PAN GUIDE SERVICE KIT	PAC-SP12058



CONTACT GRAMAG FOR ALL OTHER SUSPENSION ISSUES

APPLIES TO PETERBILT PART NO'S:

- S78-1082-00000000
- S78-1107-00000000
- S78-1117-00000000
- S78-1125-00000000
- S78-1175-00000000

REV	DATE	BY	DESCRIPTION	DATE	BY	DATE	BY	DATE	BY
7477	DB	ADDED PAC-SP11883	17JUL18	BT	LF	**			
7465	DA	ADDED S78-1175-00000000; REMOVED PAC-SP11252, ADDED PAC-SP12127; REMOVED PAC-SP11794	12APR18	BT	LF	**			
7422	CC	ADDED PAC-SP12058	31MAR17	BT	**	**			
7414	CB	REMOVED PAC-SP11883	06JAN17	BT	**	**			
7402	CA	REMOVED PAC-SP11266, ADDED PAC-SP12002	19OCT16	BT	**	**			
7403		REMOVED PAC-SP11302, ADDED PAC-SP12004							
7395	BC	ADDED KIT PAC-SP11996	19OCT16	BT	**	**			
7392	BB	REMOVED PAC-SP11270 AND PAC-SP11482; ADDED PAC-SP11993 AND PAC-SP11995; ADDED NOTE REGARDING SUSPENSIONS	06JUL16	BT	**	**			
7394									
7378	BA	ADDED KITS PAC-SP11988, PAC-SP11989	05MAY16	BT	**	**			
7348	AJ	RELEASED WEBBED BUCKLE; PAC-SP11932 WAS SP11597, PAC-SP11933 WAS PAC-SP11596	30JUL15	GAS	**	**			
7328, 7332	AH	KITS UPDATED	08AP15	GAS	**	**			
7311	AG	ITEMS 36 & 37 ADDED	30SE14	GSS	**	**			
7310	AF	ITEMS 30 & 31- "CONTACT GRAMAG" WAS "NOT SERVICEABLE"	12SE14	GAS	**	**			
7277	AE	ITEM 34 PART NUMBER 1183991 WAS CXXI-51692-5	27FEB14	INT	**	**			
7261	AD	REPLACED ARMREST KITS WITH LONGER ARMREST; ADDED PN S78-1125	28JAN14	INT	**	**			
7270	AC	ADDED SUSPENSION COMPONENT KITS ITEMS 34-35	14JAN14	INT	**	**			
7260	AB	ADDED KIT FOR SWIVEL WARNING LABEL ITEM 33	21NOV13	INT	**	**			
7262	AA	RELEASED FOR SERVICE	24OCT13	INT	**	**			
FRAME	CHG NO.	LET	REVISION	DATE	DRW	CK	APR		

UNLESS OTHERWISE SPECIFIED DRAWING TOLERANCES ARE: LINEAR ONE PLACE ± X.X TWO PLACE ± X.XX		ANGULAR ONE PLACE ± X.X° TWO PLACE ± X.XX°		DIMENSIONING & TOLERANCING PER ASME Y14.5 M-1994	
LAST VIEW		FIRST ANGLE PROJECTION		COMPUTER GENERATED GRAPHICS	
DO NOT SCALE THIS DRAWING		SEE PART BLOCK		FILE NO.	
DRAWN BY	DATE	CHECKED	APPROVED	THIS DRAWING IS COPYRIGHTED AND REMAINS THE EXCLUSIVE PROPERTY OF GRAMAG. NO PARTS, OR QUALIFIED COPYING, REPRODUCTION OR OTHER USES ARE PERMITTED WITHOUT WRITTEN PERMISSION.	
INTENT	04APR12	**	**	UNLESS OTHERWISE SPECIFIED DIMENSIONS ARE IN MM	
MATERIAL			<b>GRAMAG</b>		SCALE
NAME NGP GT701 SEAT ASM SERVICE KIT			NO		X
			NO		PAC-SP11768-DWG

PAC-SP11768-DWG UNCONTROLLED