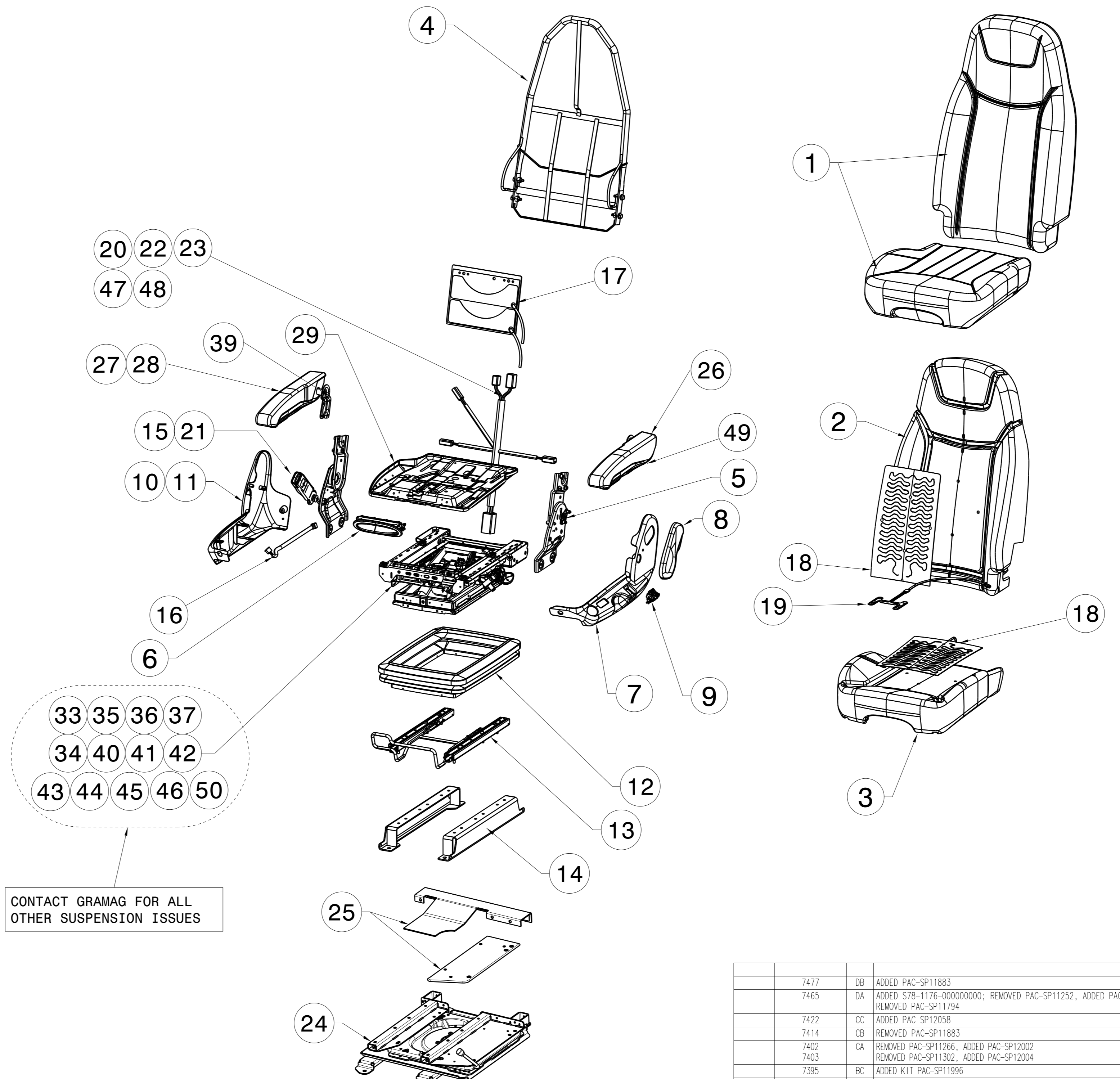


ITEM	PETERBILT PARTS	GRAMAG SERVICE KIT NO.
1	TRIM - PETERBILT	SEE DRAWING PAC-SP12004
2	FOAM - PETERBILT HIGHBACK	PAC-SP11248
3	FOAM - PETERBILT CUSHION	PAC-SP11249
4	BACKFRAME - PETERBILT	PAC-SP12127
18	HEATERS-PETERBILT BACK & CUSH.	PAC-SP11304
26	ARMREST ASM LH PETERBILT	SEE DRAWING PAC-SP11814
27	ARMREST ASM RH PETERBILT	SEE DRAWING PAC-SP11815
28	STOWABLE ARMREST RH PETERBILT	SEE DRAWING PAC-SP11816

ITEM	COMMON PARTS	GRAMAG SERVICE KIT NO.
5	FULL RECLINE AND PIVOT BRKT	PAC-SP11255
6	HANDLE ASM - CUSHION	PAC-SP11257
7	SIDE SHIELD - LH GT702	PAC-SP11303
8	HANDLE ASM - RECLINE	PAC-SP11259
9	SWITCH - LUMBAR - DOUBLE	PAC-SP11325
10	SIDE SHIELD - RH	PAC-SP11262
11	SIDE SHIELD - RH CLIMATE	PAC-SP11263
12	SKIRT	PAC-SP11264
13	TRACK AND HANDLE ASM	PAC-SP11265
14	2 PIECE RISER 2.1M SERVICE KIT	PAC-SP12002
15	BUCKLE, WEBBED NO WIRE	PAC-SP11933
16	SWITCH - HEAT	PAC-SP11294
17	LUMBAR BAG AND HOSES (DOUBLE)	PAC-SP11994
19	OCC SENSOR	PAC-SP11272
20	WIRE HARNESS (HEAT) NGP	PAC-SP11273
21	BUCKLE, WEBBED WITH WIRE	PAC-SP11932
22	WIRE HARNESS (OCC SENSOR & BUCKLE) NGP	PAC-SP11305
23	WIRE HARNESS (OCC SENSOR, BUCKLE, HEAT) NGP	PAC-SP11306
24	SWIVEL & CARPET	PAC-SP11300
25	CARPET	PAC-SP11301
29	CUSHION PAN ASM	CONTACT GRAMAG
31	AIR SEAT HOSES AND CONNECTORS	PAC-SP11995
33	DAMPENER, VARIABLE	PAC-SP11878
34	SWITCH ASM - PREMIUM SUSPENSION	PAC-SP11876
35	SUSPENSION AIR BLADDER	PAC-SP11877
36	SUSPENSION LEVEL CONTROL	PAC-SP11817
37	SEAT TILT MECHANISM	PAC-SP11880
39	STOWABLE ARM REST BRACKET	PAC-SP11869
40	HEIGHT ADJUSTMENT CABLE SERVICE KIT	PAC-SP11873
41	QUICK DOWN CABLE SERVICE KIT	PAC-SP11874
42	DAMPENER CABLE SERVICE KIT	PAC-SP11875
43	DAMPENER ADJUSTMENT HANDLE SERVICE KIT	PAC-SP11882
44	FORE AND AFT ISOLATOR SERVICE KIT	PAC-SP11883
45	FORE AND AFT ISOLATOR CABLE SERVICE KIT	PAC-SP11884
46	FORE AND AFT ISOLATOR HANDLE SERVICE KIT	PAC-SP11885
47	WIRE HARNESS(WIRED BUCKLE ONLY)NGP DRIVER SERVICE KIT	PAC-SP11988
48	WIRE HARNESS(BUCKLE,HEAT)NGP DRIVER SERVICE KIT	PAC-SP11989
49	ARMREST LOCKING BOLT AND CAP SERVICE KIT	PAC-SP11996
50	CUSHION PAN GUIDE SERVICE KIT	PAC-SP12058



CONTACT GRAMAG FOR ALL OTHER SUSPENSION ISSUES

APPLIES TO PETERBILT PART NO'S:

- S78-1083-00000000
- S78-1108-00000000
- S78-1118-00000000
- S78-1126-00000000
- S78-1176-00000000

REV	DATE	BY	DESCRIPTION	DATE	BY	DESCRIPTION			
7477		DB	ADDED PAC-SP11883	17JUL18	BT	LF **			
7465		DA	ADDED S78-1176-00000000; REMOVED PAC-SP11252, ADDED PAC-SP12127; REMOVED PAC-SP11794	12APR18	BT	LF **			
7422		CC	ADDED PAC-SP12058	31MAR17	BT	** **			
7414		CB	REMOVED PAC-SP11883	06JAN17	BT	** **			
7402		CA	REMOVED PAC-SP11266, ADDED PAC-SP12002	19OCT16	BT	** **			
7403			REMOVED PAC-SP11302, ADDED PAC-SP12004						
7395		BC	ADDED KIT PAC-SP11996	18OCT16	BT	** **			
7392		BB	REMOVED PAC-SP11336 AND PAC-SP11482; ADDED PAC-SP11994 AND PAC-SP11995; ADDED NOTE REGARDING SUSPENSIONS	06JUL16	BT	** **			
7394									
7378		BA	ADDED KITS PAC-SP11988, PAC-SP11989	05MAY16	BT	** **			
7348		AJ	RELEASED WEBBED BUCKLE; PAC-SP11932 WAS SP11597, PAC-SP11933 WAS PAC-SP11596	30JUL15	GAS	** **			
7328, 7332		AH	UPDATED KITS	08AP15	GAS	** **			
7311		AG	ITEMS 37 & 38 ADDED	30SE14	GSS	** **			
7310		AF	ITEMS 29 & 30- "CONTACT GRAMAG" WAS "NOT SERVICEABLE"	12SE14	GAS	** **			
7277		AE	ADDED SUSPENSION LEVEL CONTROL KIT, ITEM 36	20FEB14	INT	** **			
7261		AD	REPLACED ARMREST KITS WITH LONGER ARMREST; ADDED PN S78-1126	28JAN14	INT	** **			
7270		AC	ADDED SUSPENSION COMPONENT KITS ITEMS 33-35	13JAN14	INT	** **			
7260		AB	ADDED KIT FOR SWIVEL WARNING LABEL ITEM 32	21NOV13	INT	** **			
7262		AA	RELEASED FOR SERVICE	24OCT13	INT	** **			
		CHG NO.	LET		REV	DATE	DRW	CHK	APP

UNLESS OTHERWISE SPECIFIED DRAWING TOLERANCES ARE:

LINEAR		ANGULAR	
ONE PLACE ± X.X	TWO PLACE ± X.XX	ONE PLACE ± X.X °	TWO PLACE ± X.XX °

— DO NOT SCALE THIS DRAWING —

DRAWN BY: DATE: CHECKED: APPROVED:

MATERIAL: NAME: NGP GT702 SEAT ASM SERVICE KIT

NO: PAC-SP11767-DWG

COMPUTER GENERATED GRAPHICS

FILE NO. SEE PART BLOCK

THIS DRAWING IS COPYRIGHTED AND REMAINS THE EXCLUSIVE PROPERTY OF GRAMAG INTERIOR SYSTEMS, INC. UNAUTHORIZED COPYING, REPRODUCTION OR OTHER USE IS PROHIBITED AND WILL BE PROSECUTED.

UNLESS OTHERWISE SPECIFIED DIMENSIONS ARE IN MM

GRAMAG SCALE: X

truck interior systems

PAC-SP11767-DWG UNCONTROLLED