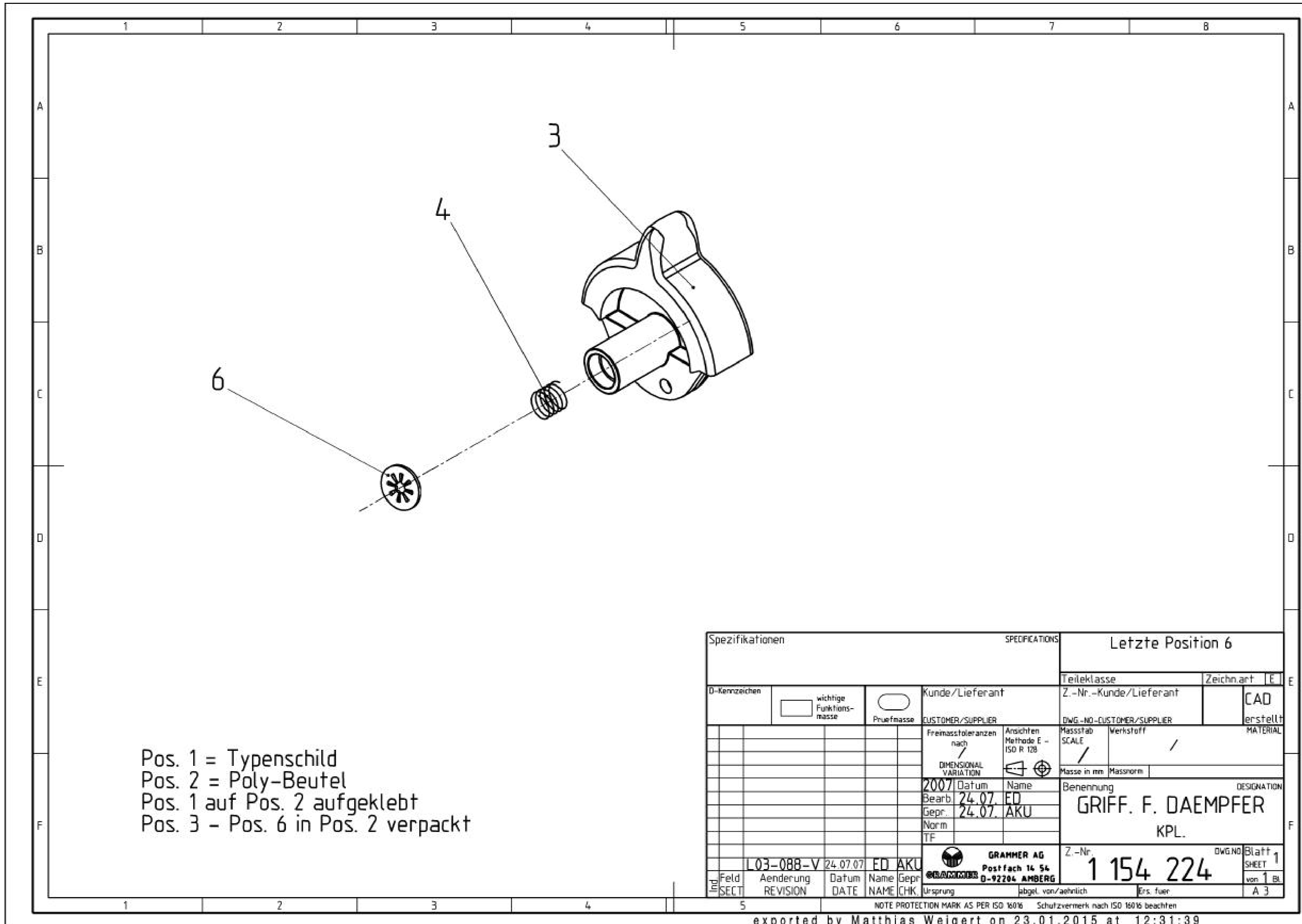


ITEM	PART NO.	PART NAME	QTY
1	1154224	DAMPENER ADJUSTMENT HANDLE	1
2		BOX	1



Pos. 1 = Typenschild
 Pos. 2 = Poly-Beutel
 Pos. 1 auf Pos. 2 aufgeklebt
 Pos. 3 - Pos. 6 in Pos. 2 verpackt

Spezifikationen		SPECIFICATIONS		Letzte Position 6	
D-Kennzeichen	<input type="checkbox"/> wichtige Funktionsmasse	<input type="checkbox"/> Prüfmasse	Kunde/Lieferant	Teileklasse	Zeichnart
			CUSTOMER/SUPPLIER	Z.-Nr.-Kunde/Lieferant	LEI
			Fremstoleranzen nach / DIMENSIONAL VARIATION	DWG.-NO.-CUSTOMER/SUPPLIER	erstellt
			Ansichten Methode E - ISO R 128	Material	PIATERIAL
			2007 Datum Name	Benennung	DESIGNATION
			Bearb: 24.07. ED	GRIFF. F. DAEMPFER	
			Gepr.: 24.07. AKU	KPL.	
			Norm	Z.-Nr.	DWG.NR. Blatt
			TF	1 154 224	1
			GRAMMER AG Postfach 14 54 D-92204 AMBERG	von	1 BL
			Ursprung	ibzgl. von/ähnlich	frs. fuer
					A 3

NOTE PROTECTION MARK AS PER ISO 1606 Schutzzeichen nach ISO 1606 beachten
 exported by Matthias Weigert on 23.01.2015 at 12:31:39

CHG. NO.	AA	RELEASED FOR SERVICE	REVISION	DATE	DRW	CHK	APR
7332	AA	RELEASED FOR SERVICE		01AP15	GRS	**	**

UNLESS OTHERWISE SPECIFIED DRAWING TOLERANCES ARE		DIMENSIONING & TOLERANCING PER ASME Y14.5 M-1994	
LINEAR	ANGULAR	LAST VIEW	3RD ANGLE PROJECTION
ONE PLACE ± X.X	ONE PLACE ± X.X °	LAST SECT	
TWO PLACE ± X.XX	TWO PLACE ± X.XX °		
COMPUTER GENERATED GRAPHICS			
- DO NOT SCALE THIS DRAWING -			
FILE NO. SEE PART BLOCK			
DRAWN BY	DATE	CHECKED	APPROVED
INTENT	23APR12	**	**
MATERIAL		SCALE	
		1:2	
NAME		NO	
DAMPENER ADJUSTMENT HANDLE SERVICE KIT		PAC-SP11882-DWG	

PAC-SP11882-DWG
 UNCONTROLLED