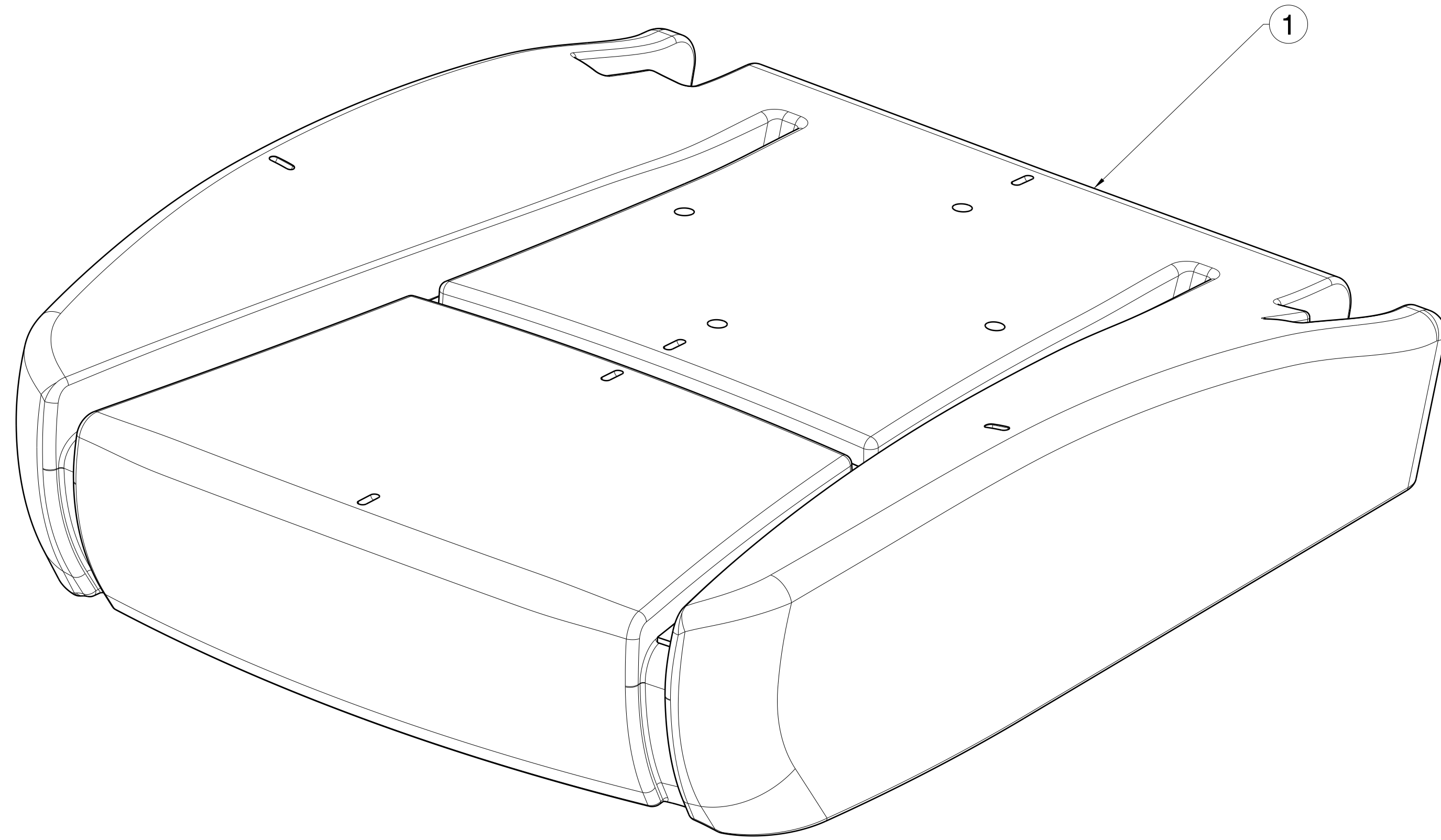



ITEM	PART NO.	PART NAME	QTY
1	PAC-10935	FOAM - STATIC CUSHION KENWORTH	1
2		BOX	1



7216	AA	RELEASED FOR SERVICE	27JUL12	INT	**	**
CHG NO.	LET	REVISION	DATE	DRW	CHK	APR
UNLESS OTHERWISE SPECIFIED DRAWING TOLERANCES ARE			DIMENSIONING & TOLERANCING PER ASME Y14.5 M-1994			
LINEAR		ANGULAR	LAST VIEW	3RD ANGLE PROJECTION		
ONE PLACE ± X.X	ONE PLACE ± X.X °		LAST SECT			
TWO PLACE ± X.XX	TWO PLACE ± X.XX °		COMPUTER GENERATED GRAPHICS			
- DO NOT SCALE THIS DRAWING -			FILE NO. SEE PART BLOCK			
DRAWN BY	DATE	CHECKED	APPROVED	THIS DRAWING IS COPYRIGHTED AND REMAINS THE EXCLUSIVE PROPERTY OF GRAMMAG TRUCK INTERIOR SYSTEMS. ANY UNAUTHORIZED COPYING, REPRODUCTION OR OTHER USE IS PROHIBITED AND WILL BE PROSECUTED.		
INTENT	OBMAY12	**	**	UNLESS OTHERWISE SPECIFIED DIMENSIONS ARE IN MM		
MATERIAL					SCALE	
NAME			NO		SCALE	
FOAM CUSHION - STATIC KENWORTH SERVICE KIT			PAC-SP11424-DWG		1:2	

PAC-SP11424-DWG  
UNCONTROLLED