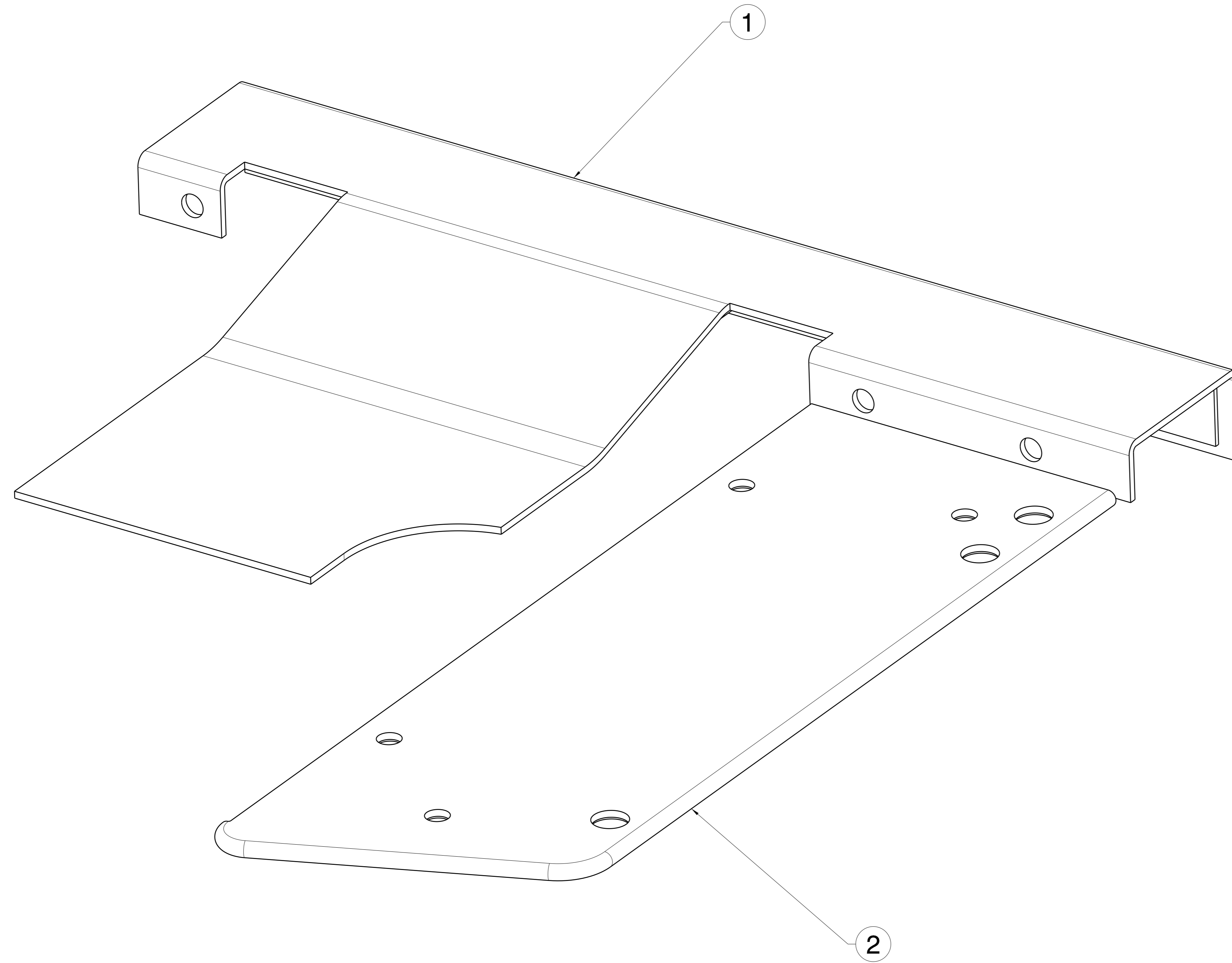



ITEM	PART NO.	PART NAME	QTY
1	PAC-11280	CARPET ASM - SWIVEL REAR	1
2	PAC-11283	CARPET ASM - SWIVEL FLAT	1
3	CONI-506920	FASTENER - XMASS TREE	9
4		BAG - FASTENERS	1
5		BOX	1



7216	AA	RELEASED FOR SERVICE	19JUL12	INT	**	**
CHG NO.	LET	REVISION	DATE	DRW	CK	APR
UNLESS OTHERWISE SPECIFIED DRAWING TOLERANCES ARE			DIMENSIONING & TOLERANCING PER ASME Y14.5 M-1994			
LINEAR		ANGULAR	LAST VIEW	3RD ANGLE PROJECTION		
ONE PLACE ± X.X	ONE PLACE ± X.X °	TWO PLACE ± X.XX	LAST SECT	COMPUTER GENERATED GRAPHICS		
- DO NOT SCALE THIS DRAWING -			FILE NO. SEE PART BLOCK			
DRAWN BY	DATE	CHECKED	APPROVED	THIS DRAWING IS COPYRIGHTED AND REMAINS THE EXCLUSIVE PROPERTY OF GRAMMAG TRUCK INTERIOR SYSTEMS, INC. UNAUTHORIZED COPYING, REPRODUCTION OR OTHER USE IS PROHIBITED AND WILL BE PROSECUTED.		
INTENT	16APR12	**	**	UNLESS OTHERWISE SPECIFIED DIMENSIONS ARE IN MM		
MATERIAL					SCALE FULL	
NAME CARPET - SWIVEL SERVICE KIT			NO PAC-SP11301-DWG			

PAC-SP11301-DWG
UNCONTROLLED