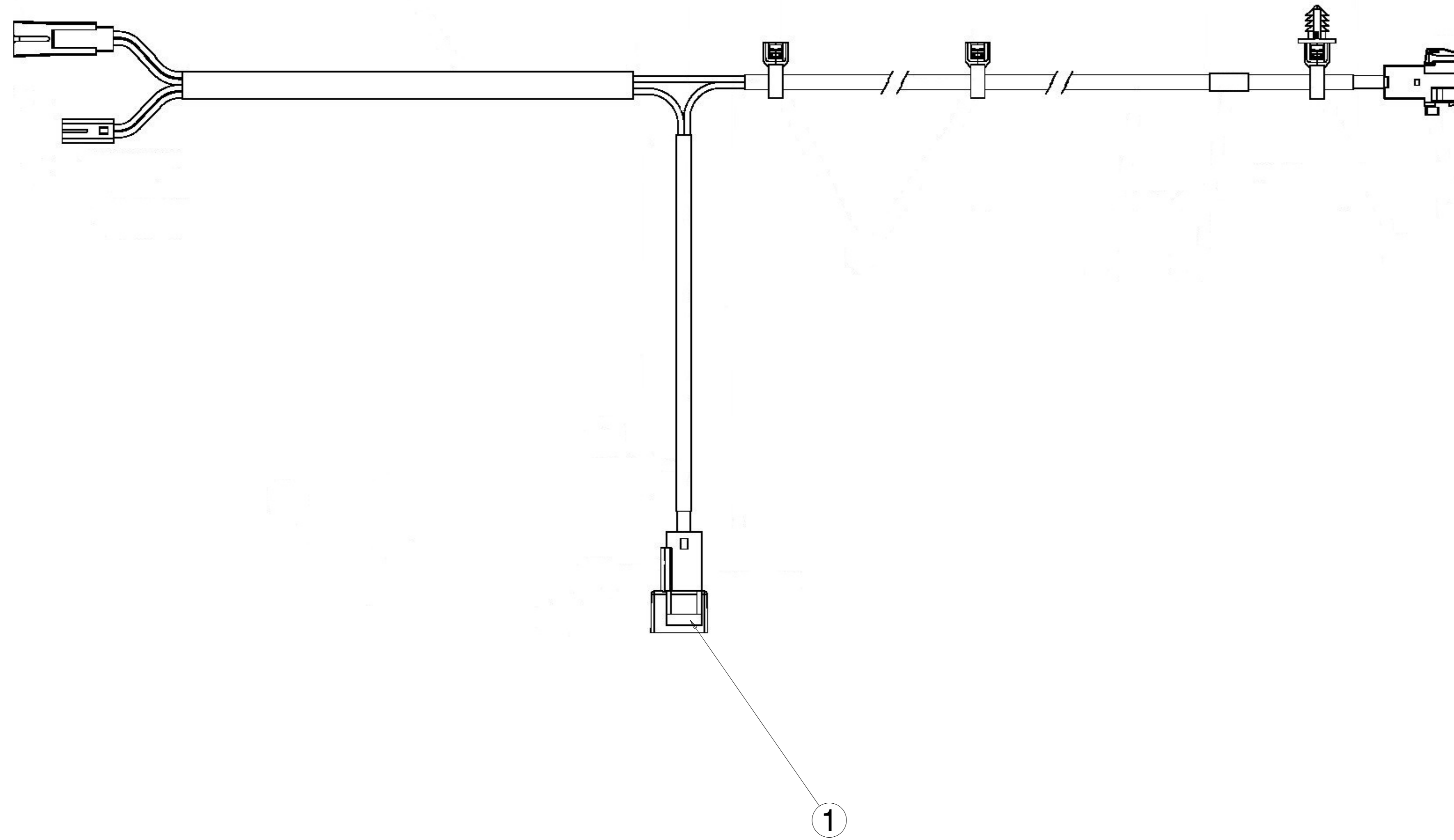


ITEM	PART NO.	PART NAME	QTY
1	PAC-11034	WIRE HARNESS - HEAT NGP	1
2		BOX	1



REV	DATE	BY	CHKD	APPV	DESCRIPTION	DATE	DRW	CHK	APPV
7231		AB			ADDED VISUAL REPRESENTATION	23OCT12	INT	**	**
7216		AA			RELEASED FOR SERVICE	19JUL12	INT	**	**
FRAME	CHG NO.	LET			REVISION	DATE	DRW	CHK	APPV

UNLESS OTHERWISE SPECIFIED DRAWING TOLERANCES ARE		DIMENSIONING & TOLERANCING PER ASME Y14.5 M-1994	
LINEAR		LAST VIEW	
ONE PLACE ± X.X	ANGULAR ONE PLACE ± X.X °	3RD ANGLE PROJECTION	
TWO PLACE ± X.XX	TWO PLACE ± X.XX "	COMPUTER GENERATED GRAPHICS	
- DO NOT SCALE THIS DRAWING -		FILE NO. SEE PART BLOCK	
DRAWN BY	DATE	CHECKED	APPROVED
INTENT	16APR12	**	**
MATERIAL		SCALE	
		4X	
NAME WIRE HARNESS - (HEAT) NGP & 587 SERVICE KIT		NO PAC-SP11273-DWG	

PAC-SP11273-DWG  
UNCONTROLLED