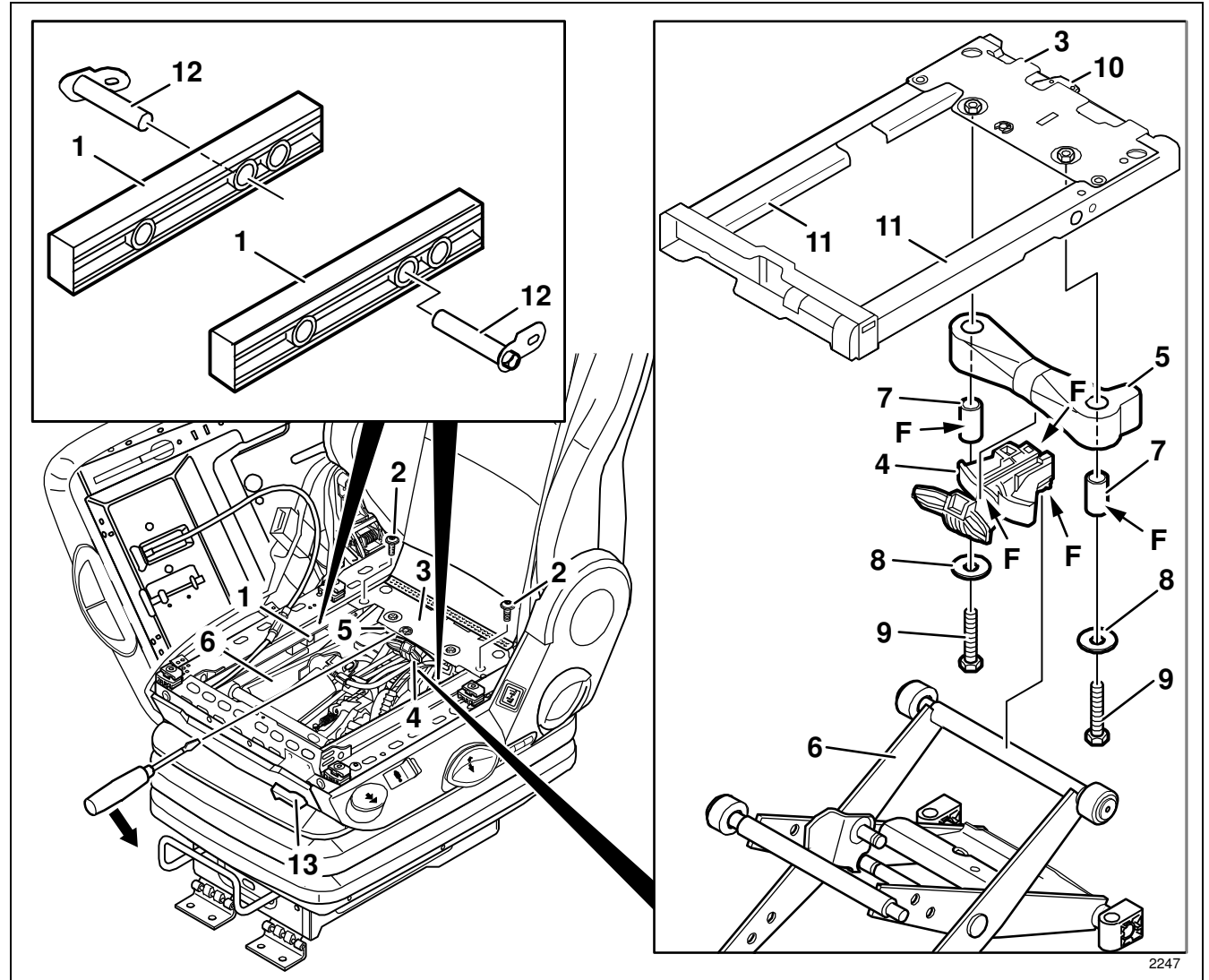


- (1) Stopper
- (2) Rounded flange head screw
(inner race)..... 5 Nm
- (3) Upper suspension part
- (4) Clamp..... to grease
- (5) Rubber spring
- (6) Swinging structure
- (7) Tube section to grease
- (8) Washer
- (9) Hexagon bolt..... 25 Nm
- (10) Stop lever
- (11) Running surface (U-shaped rail)
- (12) Stud
- (13) Lever for fore/aft isolator



2247

1 Lift off the seat cushion in position for repair.

Removal and installation

2 To unlock the fore/aft isolator, turn the lever for the fore/aft isolator (13) upwards.

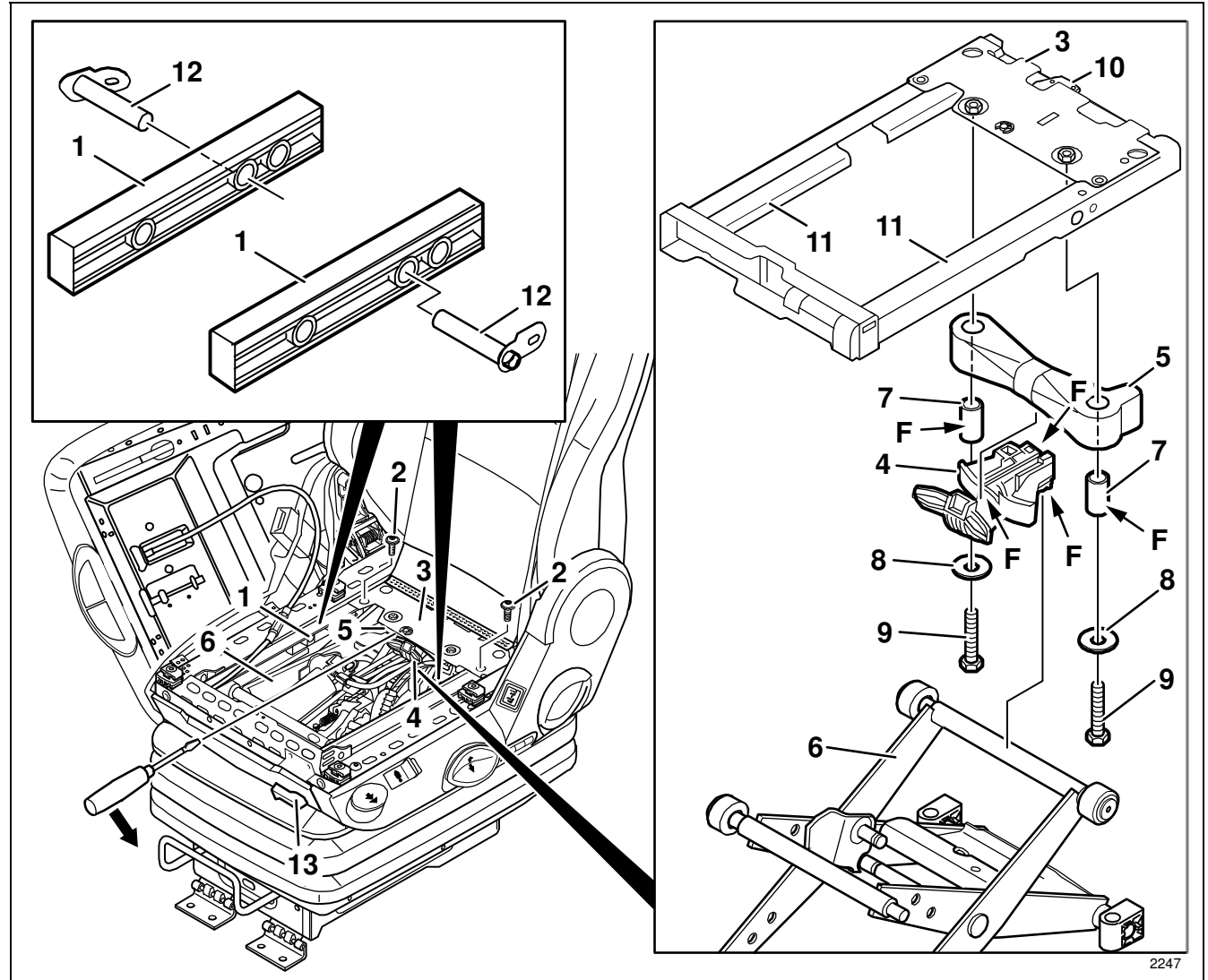
3 Move the seat to a high position and secure it.



WARNING Risk of crushing!
Secure the obtained height position by means of appropriate spacers between the upper suspension part and the lower suspension part.

Note:

The swinging structure (6) has to remain movable in the entire running surface area (11).



2247

4 Unscrew two rounded flange head screws (2).

Installation note:

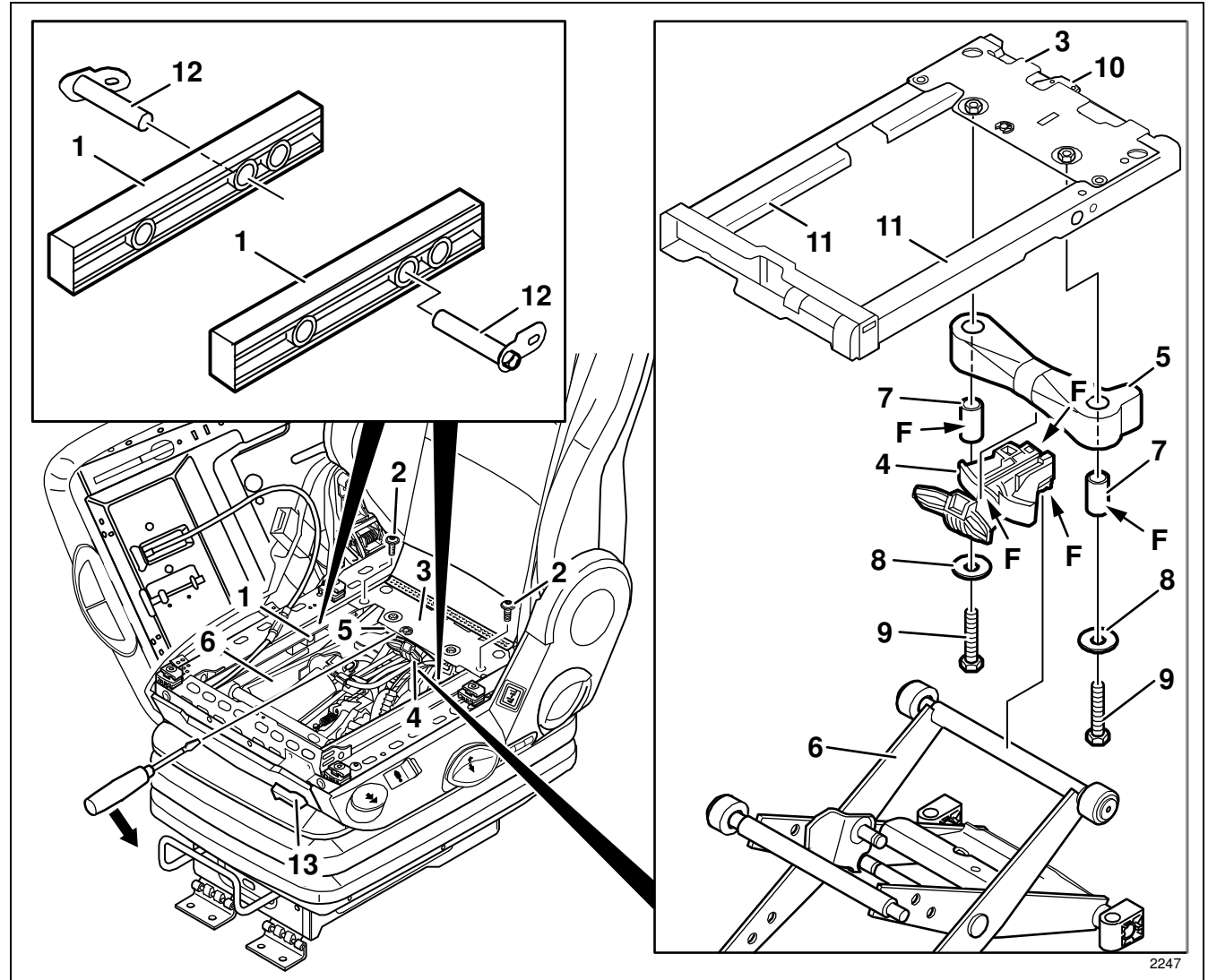
Rounded flange head screw (2),
5 Nm.

5 Pull off two stoppers(1) at the studs (12) and remove them from the running surfaces (11) of the upper suspension part (3).


6 Unscrew two hexagon bolts (9) and remove the washers (8).

Installation note:

Hexagon bolt (9), 25 Nm.

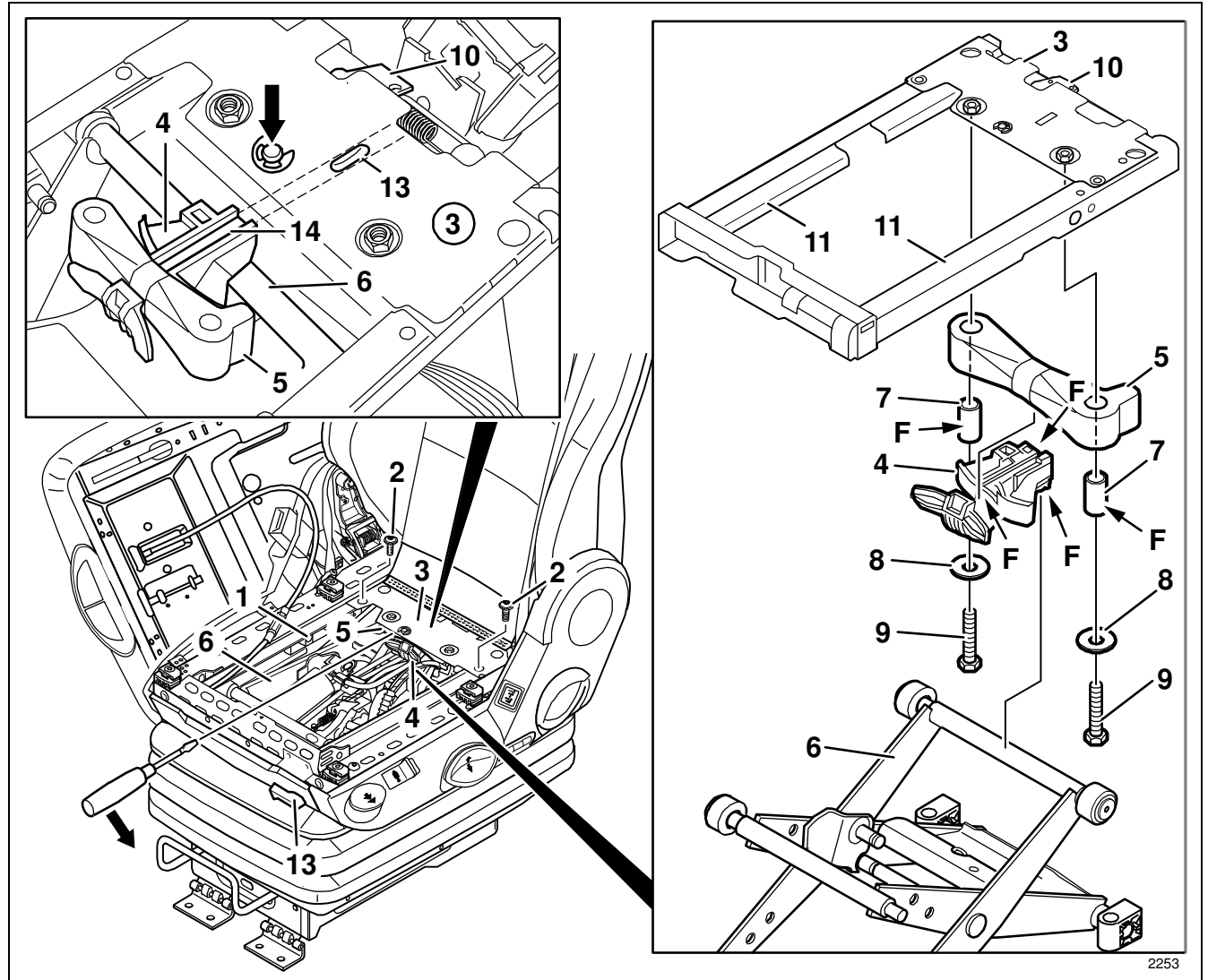


7 Release the clamp (4) and the stop lever (10) and push the upper suspension part (3) backwards against the pivot point (arrow) of the stop lever (10).

8  **ATTENTION** Deformation!
The clamp (4) is mounted between the swinging structure (6) and the upper suspension part (3).

To remove the clamp (4), push a screwdriver from the front horizontally between the upper suspension part (3) and the right side of the clamp (4) and carefully lift the upper suspension part (3) by means of the screwdriver at the pivot point (arrow) of the stop lever (10).

9 Push the clamp (4) forwards under the stop lever (10) until it can be pressed off at the swinging structure (6).



2253

10 Press off the clamp (4) at the swinging structure (6).

Installation notes:

- The groove (14) of the clamp (4) must engage in the guide (13) at the upper suspension part (3).
- Apply acid-free multi-purpose lubricant to the entire groove (F) and running surface (F) of the clamp (4).

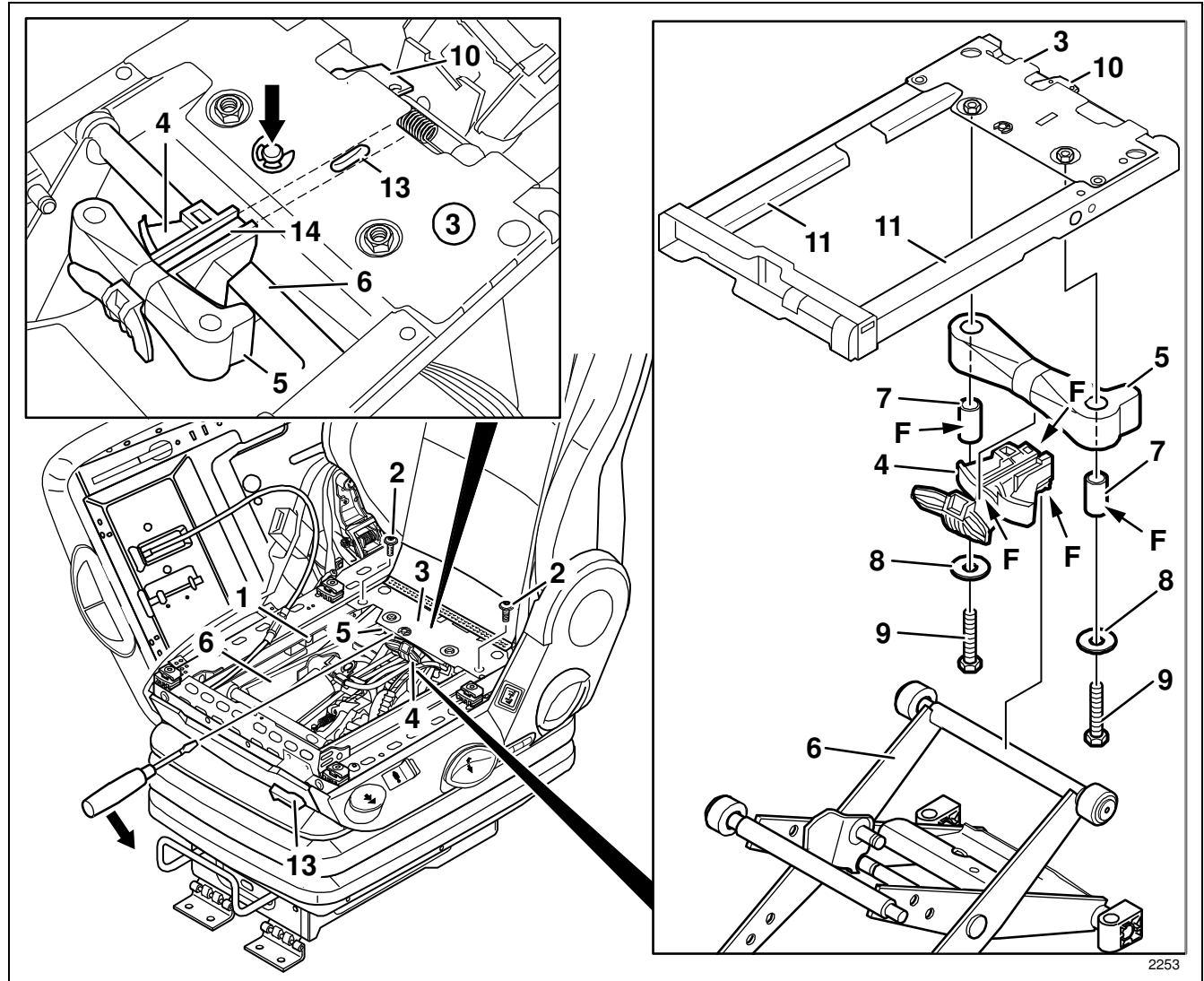
11 Pull the rubber spring (5) out of the clamp (4).

12 Pull two tube pieces (7) out of the rubber spring (5).

Installation note:

Apply acid-free multi-purpose lubricant to the entire external surface (F) of the tube pieces (7).

13 Re-install the components in the reverse order of their removal.



2253